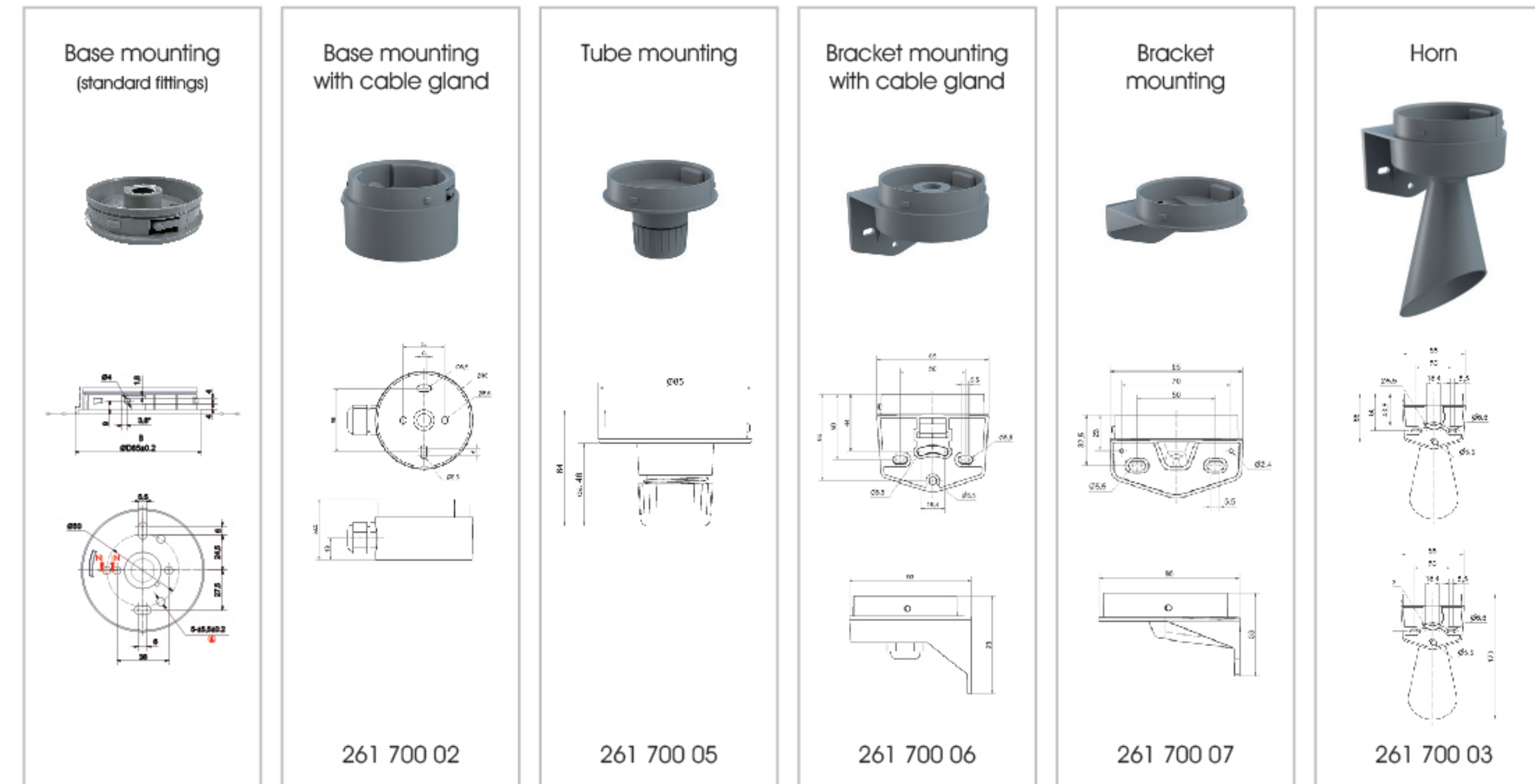


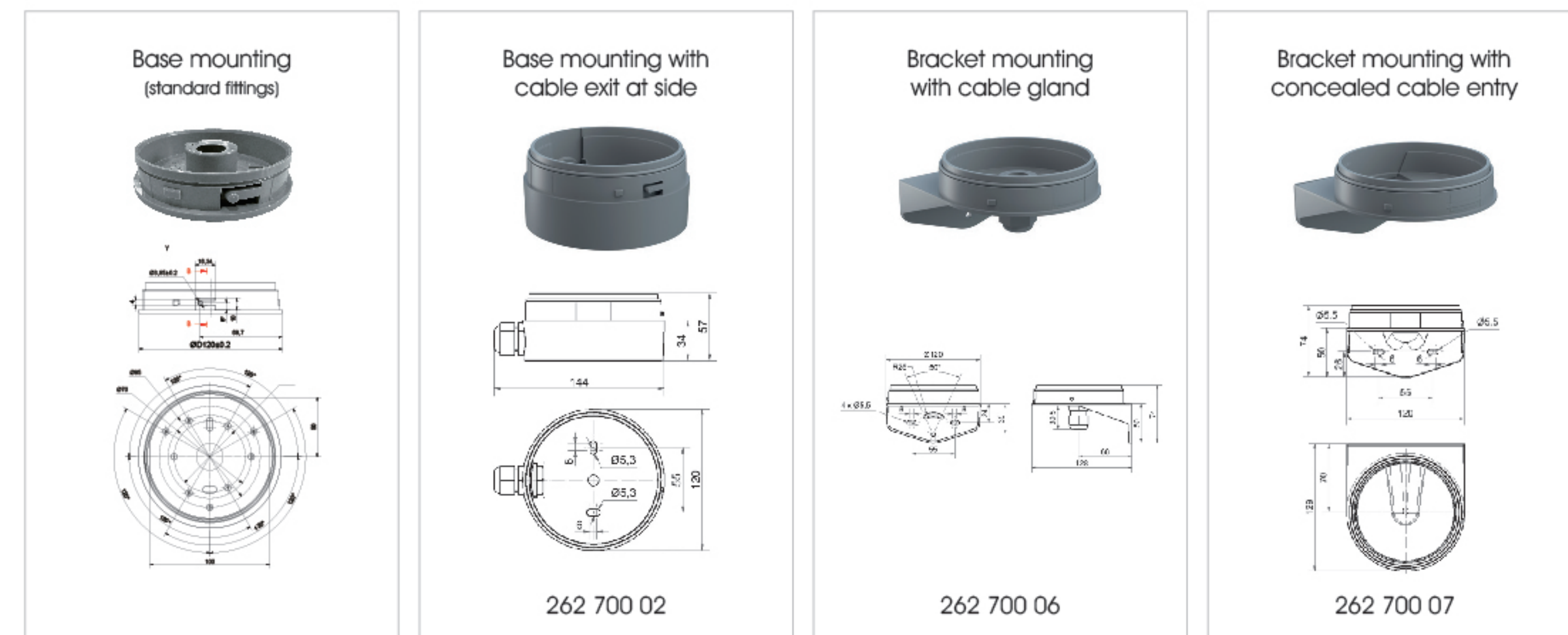
D Series Optical and Audible Combination Beacons

ACCESSORIES DIAGRAM

D85/D85*



D120



WERMA (Shanghai) Co., Ltd.
 Building 8, No. 85 Mingnan Road,
 Songjiang, Shanghai, P.R.C.
 201613
 Phone: +86/ (0)21/5774 0022
 Fax: +86/ (0)21/5774 6601
 www.werma.com
 info@werma.com.cn

D Series Beacons

— Daring, Dazzling, Dynamic

D Series Optical and Audible Combination Beacons

Voltage	24V.DC
Protection rating:	IP 66
Light effects	LED
Tone type	Continuous/pulse/rising/alternating
Life duration	50,000h



D Series Optical and Audible Combination Beacons

D Series Optical and Audible Combination Beacons

Custom is available
low or high versions according to individual needs

Six installation methods
easy to meet various applications

High protection rate
IP66 can be used in most of circumstances

Excellent luminous effect
creative design to achieve the more uniform light emission

Twin function coexistence
Both standard and advanced editions are available

The D Series beacons are the standardized optical and audible combination beacons developed and produced by WERMA Shanghai in 2023. This product has eliminated the previously complicated models and styles, integrating the functions of various signal beacons into one universal and easy-to-select product. The D-Series warning lights come in three size categories: D62, D85, and D120, which can replace thousands of signal beacons in the market. In addition, the D Series adopts an innovative light guide film design, enhancing the uniformity and integrity of the signal light's illumination effect. Its quick-connect terminals allow for rapid installation, saving time, while its hole positions (of the same size) can adapt to all installation points in the market, enabling quick replacements and seamless connections. Furthermore, both tube mounting and base mounting options are combined in the D Series, facilitating multiple installation methods with the assistance of installation accessories. Lastly, for the D85 warning light, both standard and advanced editions are available, not only meeting customers' standardized requirements but also providing more room for customization, effectively avoiding cost waste from unused features.



TECHNICAL SPECIFICATIONS

Specifications	Type	D62	D85	D85+	D120
Dimensions (Ø x Height)		62x85mm	85x125mm	85x125mm	120x170mm
Materials		PC, PC/ABS	PC, PC/ABS	PC, PC/ABS	PC, PC/ABS
Life duration		50,000h	50,000h	50,000h	50,000h
Protection rating		IP66	IP66	IP66	IP66
Voltage		24V	24V	24V	24V
Connection		Push-in terminal	Push-in terminal	Push-in terminal	Push-in terminal
Dome colour		Red/Yellow/Green	Red/Yellow	Red/Yellow	Red/Yellow
Light effects		Flash/Permanent	Blink/Permanent	Blink/Flash/Revolving	Permanent/Blink/Flash/Revolving
Buzzer		85dB	85dB	97dB	88-100dB
Tone type		Continuous tone/Pulse tone		Rising /Alternating /Pulse	
Working temperature		-30°C/+50°C	-30°C/+50°C	-30°C/+50°C	-30°C/+50°C

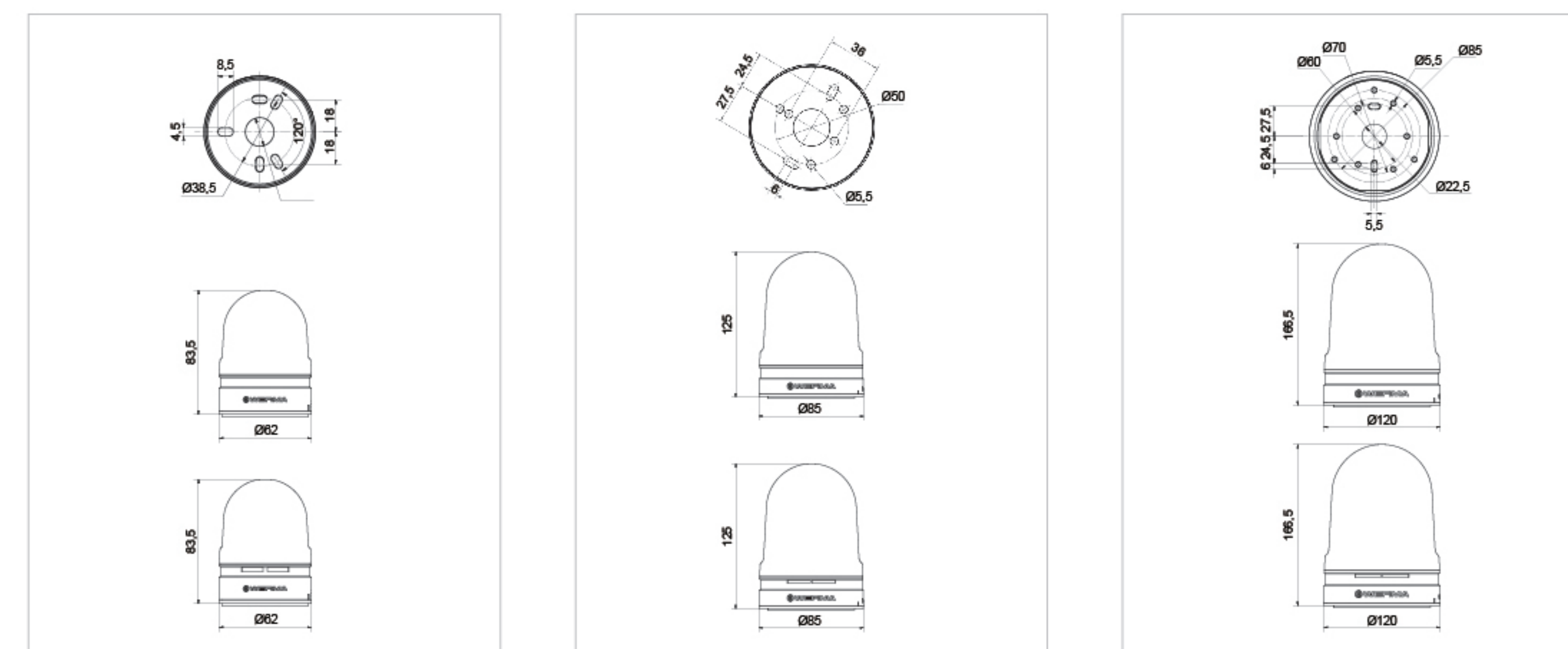
Order no.

Colour	Type	D62	D85	D85+	D120
Red		810 612 05	810 812 05	810 862 05	810 060 05
Yellow		810 632 05	810 832 05	810 882 05	810 080 05
Green		810 622 05	-	-	-
Red (With buzzer)		410 612 35	410 812 35	410 862 45	410 060 45
Yellow (With buzzer)		410 632 35	410 832 35	410 882 45	410 080 45

*Any other requirements (appearance/function), can be customized



TECHNICAL DIAGRAM



ACCESSORIES DIAGRAM

D62

