

Signal lights / 808/809/818

LED Perm. Beacon EM 24VDC WH



Part No.: 818.449.55



MECHANICAL DATA

Height	102 mm
Diameter	71 mm
Materials	PC PC/ABS
Dome colour	White
Housing colour	Black
Protection category	IP65
cross-sectional area minimum	0,34mm ² / 22AWG
cross-sectional area maximum	1,50mm ² / 16AWG
Cable entry	Through hole
Tension relief	Pull-out protection
Type of fixing	Built-in mounting
Working temperature minimum	-30°C
Working temperature maximum	+55°C
Weight with packaging	135 g
Product weight	105 g

ELECTRICAL DATA

Operating voltage	24V
Operating voltage type	DC
Operating voltage tolerance	+/- 10%
Rated operational voltage	24 VDC
Rated operational current	45 mA
Rated inrush current	240mA
Protection class	Protection class 2
Pollution degree	3

OPTICAL DATA

Light source	LED
Light colour	White
Optical signal image	Permanent
Service life optical	50,000 h minimum

APPROVAL DATA

Conforms with CE	Yes
Conforms with RoHS directive	Yes
WEEE	No
Conforms with ATEX-directive	No
Conforms with CCC	No



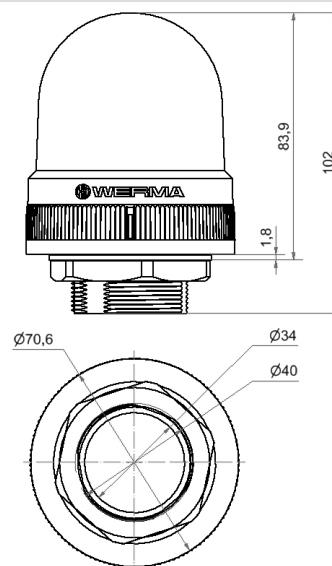
For additional installation and mounting information, refer to the appropriate user guide at www.werma.com. This printed copy is for information only and is subject to alteration.

Signal lights / 808/809/818

LED Perm. Beacon EM 24VDC WH

Conforms with FCC	No
Conforms with IC	No
EAC certificate available	No
Conforms with UKCA (Importer)	Yes (WERMA (UK) Ltd.)
Conforms with AS-I	No
ICAO Certification	No
Conforms with DNV	No
Conforms with RoHS CN	25 years
Conforms with VdS	No

DRAWING



For additional installation and mounting information, refer to the appropriate user guide at www.werma.com. This printed copy is for information only and is subject to alteration.