

Signal lights / 808/809/818

LED Perm. Beacon EM 230VAC GN



Part No.: 818.239.68



MECHANICAL DATA

| | |
|------------------------------|-----------------------------|
| Height | 102 mm |
| Diameter | 71 mm |
| Materials | PC PC/ABS |
| Dome colour | Green |
| Housing colour | Black |
| Protection category | IP65 |
| cross-sectional area minimum | 0,34mm ² / 22AWG |
| cross-sectional area maximum | 1,50mm ² / 16AWG |
| Cable entry | Through hole |
| Tension relief | Pull-out protection |
| Type of fixing | Built-in mounting |
| Working temperature minimum | -30°C |
| Working temperature maximum | +55°C |
| Weight with packaging | 135 g |
| Product weight | 105 g |

ELECTRICAL DATA

| | |
|-----------------------------|--------------------------|
| Operating voltage | 230V |
| Operating voltage type | AC |
| Operating voltage frequency | 50Hz |
| Operating voltage tolerance | +/- 10% |
| Rated operational voltage | 230 VAC |
| Rated operational current | 20 mA |
| Rated inrush current | 1500mA |
| Protection class | Protection class 2 |
| Pollution degree | 3 |
| Overvoltage category | II |
| Isolation voltage | Ui = 250V; Uimp = 2.500V |

OPTICAL DATA

| | |
|----------------------|------------------|
| Light source | LED |
| Light colour | White |
| Optical signal image | Permanent |
| Service life optical | 50,000 h minimum |

APPROVAL DATA

| | |
|------------------------------|-----|
| Conforms with CE | Yes |
| Conforms with RoHS directive | Yes |



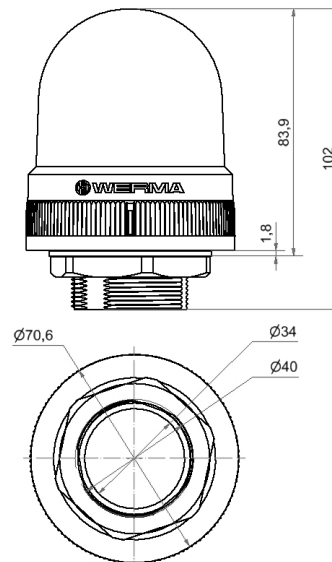
For additional installation and mounting information, refer to the appropriate user guide at www.werma.com. This printed copy is for information only and is subject to alteration.

Signal lights / 808/809/818

LED Perm. Beacon EM 230VAC GN

| | |
|-------------------------------|-----------------------|
| WEEE | No |
| Conforms with ATEX-directive | No |
| Conforms with CCC | Yes |
| Conforms with UL | No |
| Conforms with FCC | No |
| Conforms with IC | No |
| EAC certificate available | No |
| Conforms with UKCA (Importer) | Yes (WERMA (UK) Ltd.) |
| Conforms with AS-I | No |
| ICAO Certification | No |
| Conforms with DNV | No |
| Conforms with RoHS CN | 25 years |
| Conforms with VdS | No |

DRAWING



! For additional installation and mounting information, refer to the appropriate user guide at www.werma.com. This printed copy is for information only and is subject to alteration.