

Signal lights / D62/D85/D120

D85 Perm./Blink. 24VDC YE



Part No.: 810.832.05



MECHANICAL DATA

Height	125 mm
Diameter	85 mm
Materials	PC PC/ABS
Dome colour	Yellow
Housing colour	Grey
Protection category	IP66
Connection	Push-in terminal
cross-sectional area minimum	0,25mm ² / 24AWG
cross-sectional area maximum	1,50mm ² / 16AWG
Cable entry minimum	d = 8 mm
Cable entry maximum	d = 12 mm
Type of fixing	Base mounting Tube mounting
Working temperature minimum	-30°C
Working temperature maximum	+50°C

ELECTRICAL DATA

Operating voltage	24V
Operating voltage type	DC
Operating voltage tolerance	+/- 10%
Rated operational voltage	24 VDC
Rated operational current	120 mA
Rated inrush current	200 mA
Protection class	Protection class 2
Pollution degree	3 In the connection area: 2

OPTICAL DATA

Light source	LED
Light colour	White
Optical signal image	Blink Permanent
Service life optical	50,000 h maximum

APPROVAL DATA

Conforms with CE	Yes
Conforms with RoHS directive	Yes
WEEE	Yes
Conforms with UKCA (Importer)	Yes (WERMA (UK) Ltd.)



For additional installation and mounting information, refer to the appropriate user guide at www.werma.com. This printed copy is for information only and is subject to alteration.

Signal lights / D62/D85/D120

D85 Perm./Blink. 24VDC YE

Conforms with RoHS CN	25 years
-----------------------	----------

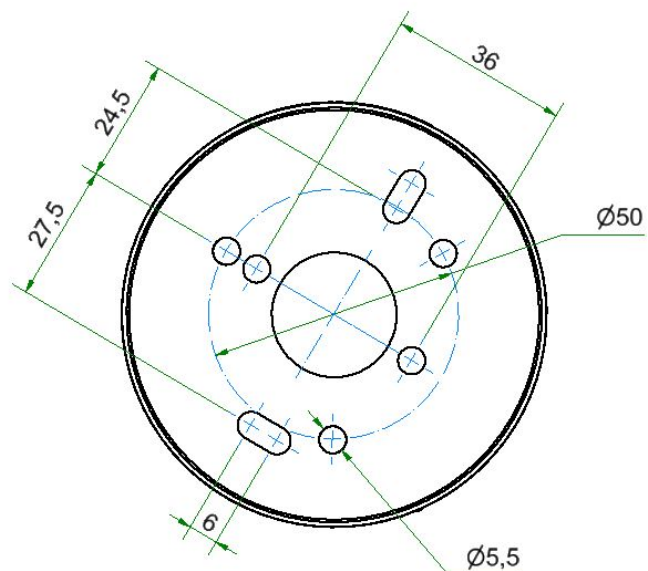
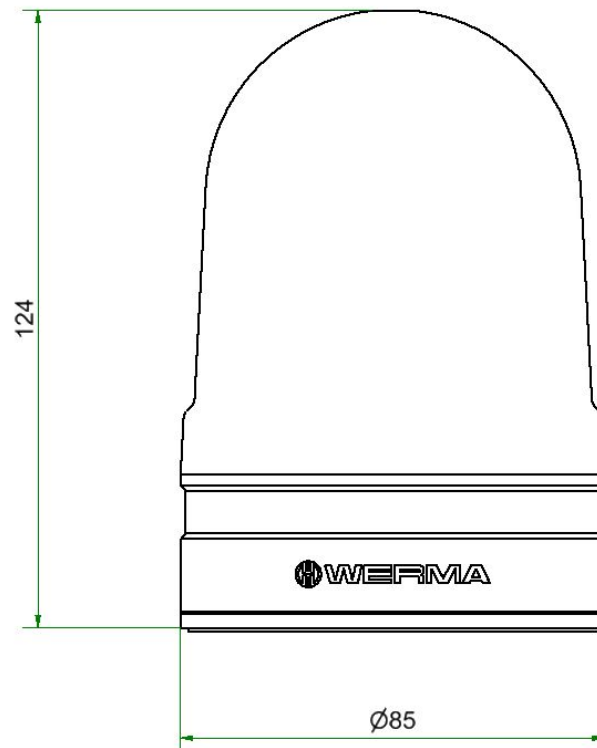


For additional installation and mounting information, refer to the appropriate user guide at www.werma.com. This printed copy is for information only and is subject to alteration.

Signal lights / D62/D85/D120

D85 Perm./Blink. 24VDC YE

DRAWING



! For additional installation and mounting information, refer to the appropriate user guide at www.werma.com. This printed copy is for information only and is subject to alteration.