

Signal lights / D62/D85/D120

## D62 Perm./Flash 24VDC YE

Part No.: 810.632.05



### MECHANICAL DATA

Height	85 mm
Diameter	62 mm
Materials	PC PC/ABS
Dome colour	Yellow
Housing colour	Grey
Protection category	IP66
cross-sectional area minimum	0,25mm <sup>2</sup> / 24AWG
cross-sectional area maximum	1,50mm <sup>2</sup> / 16AWG
Cable entry minimum	d = 8 mm
Cable entry maximum	d = 12 mm
Type of fixing	Base mounting
Working temperature minimum	-30°C
Working temperature maximum	+50°C

### ELECTRICAL DATA

Operating voltage	24V
Operating voltage type	DC
Operating voltage tolerance	+/- 10%
Rated operational voltage	24 VDC
Rated operational current	80 mA
Rated inrush current	200 mA
Protection class	Protection class 2
Pollution degree	3 In the connection area: 2

### OPTICAL DATA

Light source	LED
Light colour	White
Optical signal image	Flash Permanent
Service life optical	50,000 h maximum

### APPROVAL DATA

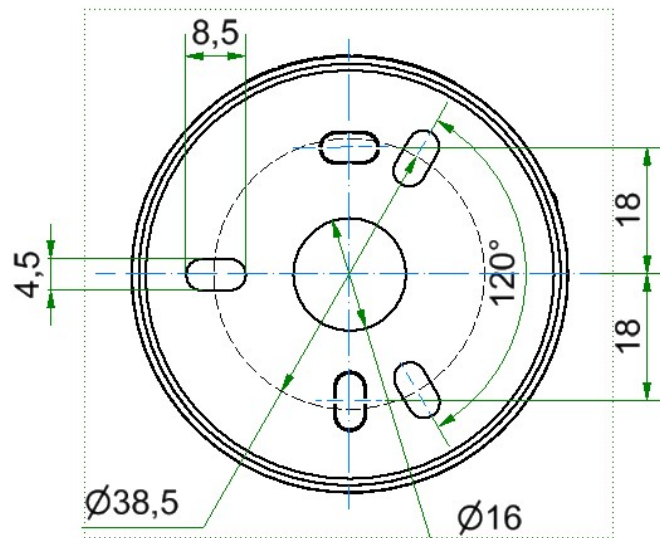
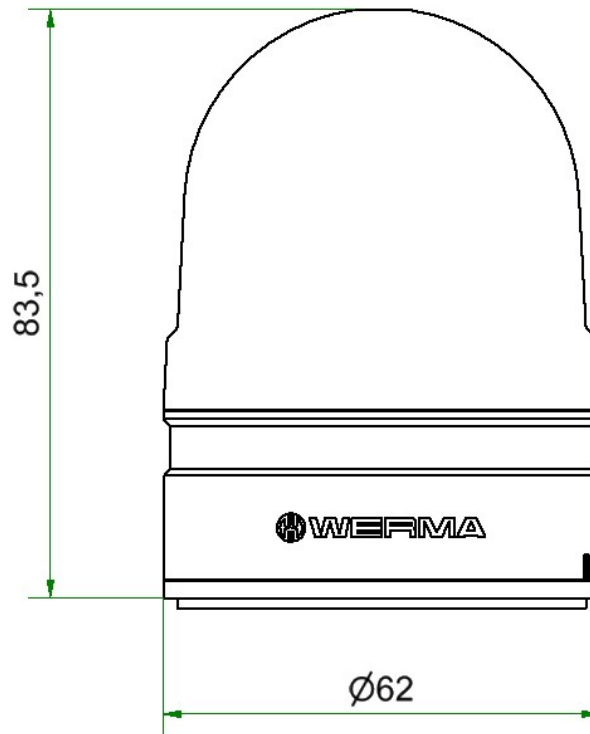
Conforms with CE	Yes
Conforms with RoHS directive	Yes
WEEE	Yes



For additional installation and mounting information, refer to the appropriate user guide at [www.werma.com](http://www.werma.com). This printed copy is for information only and is subject to alteration.

Signal lights / D62/D85/D120  
**D62 Perm./Flash 24VDC YE**

**DRAWING**



! For additional installation and mounting information, refer to the appropriate user guide at [www.werma.com](http://www.werma.com). This printed copy is for information only and is subject to alteration.