

Signal lights / D62/D85/D120

D120 Per/Bli/Fla/Rot 24VDC YE



Part No.: 810.080.05



MECHANICAL DATA

Height	170 mm
Diameter	120 mm
Materials	PC PC/ABS
Dome colour	Yellow
Housing colour	Grey
Protection category	IP66
Connection	Push-in terminal
Type of fixing	Base mounting
Working temperature minimum	-30°C
Working temperature maximum	+50°C

ELECTRICAL DATA

Operating voltage	24V
Operating voltage type	DC
Operating voltage tolerance	+/- 10%
Rated operational voltage	24 VDC
Rated operational current	780 mA
Rated inrush current	1000mA
Protection class	Protection class 2
Pollution degree	3 In the connection area: 2

OPTICAL DATA

Light source	LED
Light colour	White
Optical signal image	Blink Flash Permanent Revolving
Service life optical	50,000 h maximum

APPROVAL DATA

Conforms with CE	Yes
Conforms with RoHS directive	Yes
WEEE	Yes
Conforms with UKCA (Importer)	Yes (WERMA (UK) Ltd.)
Conforms with RoHS CN	25 years

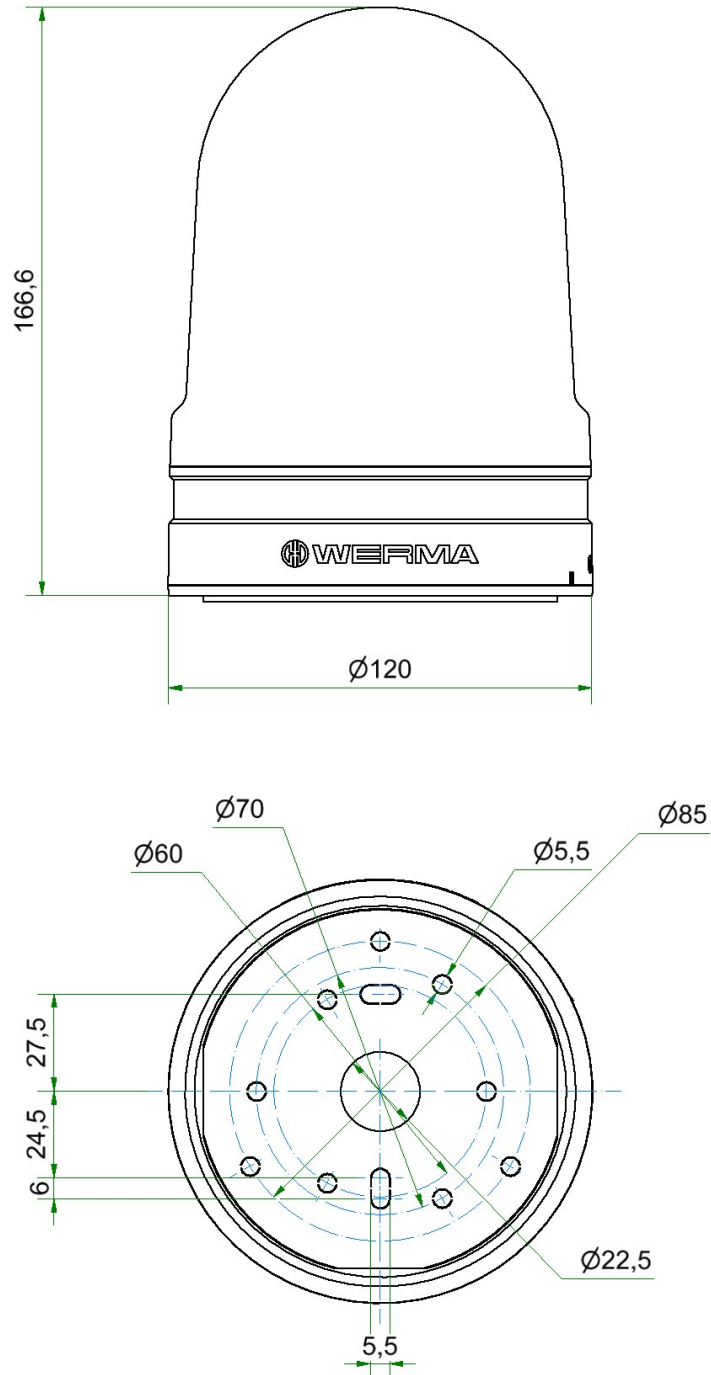


For additional installation and mounting information, refer to the appropriate user guide at www.werma.com. This printed copy is for information only and is subject to alteration.

Signal lights / D62/D85/D120

D120 Per/Bli/Fla/Rot 24VDC YE

DRAWING



! For additional installation and mounting information, refer to the appropriate user guide at www.werma.com. This printed copy is for information only and is subject to alteration.