

Signal lights / D62/D85/D120

**D120 Per/Bli/Fla/Rot 24VDC RD**



Part No.: 810.060.05



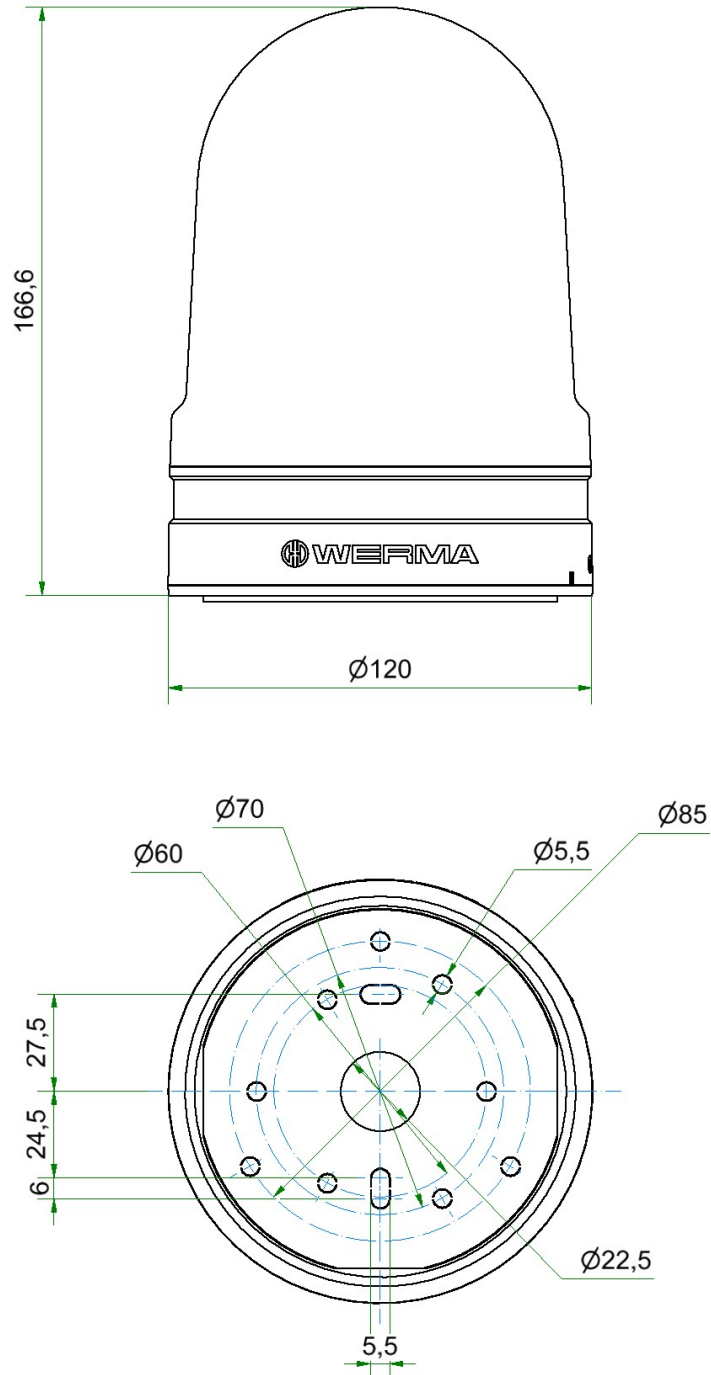
MECHANICAL DATA	
Height	170 mm
Diameter	120 mm
Materials	PC PC/ABS
Dome colour	Red
Housing colour	Grey
Protection category	IP66
Connection	Push-in terminal
Type of fixing	Base mounting
Working temperature minimum	-30°C
Working temperature maximum	+50°C
ELECTRICAL DATA	
Operating voltage	24V
Operating voltage type	DC
Operating voltage tolerance	+/- 10%
Rated operational voltage	24 VDC
Rated operational current	780 mA
Rated inrush current	1000mA
Protection class	Protection class 2
Pollution degree	3 In the connection area: 2
OPTICAL DATA	
Light source	LED
Light colour	Red
Optical signal image	Blink Flash Permanent Revolving
Service life optical	50,000 h maximum
APPROVAL DATA	
Conforms with CE	Yes
Conforms with RoHS directive	Yes
WEEE	Yes
Conforms with UKCA (Importer)	Yes (WERMA (UK) Ltd.)
Conforms with RoHS CN	25 years

! For additional installation and mounting information, refer to the appropriate user guide at [www.werma.com](http://www.werma.com). This printed copy is for information only and is subject to alteration.

Signal lights / D62/D85/D120

**D120 Per/Bli/Fla/Rot 24VDC RD**

**DRAWING**



**!** For additional installation and mounting information, refer to the appropriate user guide at [www.werma.com](http://www.werma.com). This printed copy is for information only and is subject to alteration.