

Mini / EvoSIGNAL

Mini TwinFLASH Combi 12VAC/DC RD

Part No.:	460.120.74
Series:	EvoSIGNAL

**MECHANICAL DATA**

Height	85 mm
Diameter	62 mm
Materials	PC PC/ABS
Dome colour	Red
Housing colour	Grey
Protection category	IP66
Connection	Push-in terminal
cross-sectional area minimum	0,25mm ² / 24AWG
cross-sectional area maximum	1,50mm ² / 16AWG
Type of fixing	Adapter required
Working temperature minimum	-30°C
Working temperature maximum	+60°C
Weight with packaging	101 g
Product weight	79 g

ELECTRICAL DATA

Operating voltage	12V
Operating voltage type	AC/DC
Operating voltage frequency	50Hz
Operating voltage tolerance	+/- 10%
Rated operational voltage	12 VDC
Rated operational current	82 mA
Rated inrush current	2000 mA
Protection class	Protection class 2
Pollution degree	3
Overvoltage category	III

OPTICAL DATA

Light source	LED
Light colour	Red
Optical signal image	EVS Flash TwinFlash
Flash frequency	1 Hz
Service life optical	50,000 h minimum
Pulse- & pause Duration [ms]	28ON, 165OFF, 28ON, 744OFF

ACOUSTIC DATA

Volume (max) at 1m distance	95,0 dB (A)
-----------------------------	-------------



For additional installation and mounting information, refer to the appropriate user guide at www.werma.com. This printed copy is for information only and is subject to alteration.

Mini / EvoSIGNAL

Mini TwinFLASH Combi 12VAC/DC RD

Acoustic signal image	Continuous tone Pulse tone
Number of tones	2 tone
Audio frequency	4000 Hz
Acoustic service life	5,000 h minimum

APPROVAL DATA

Conforms with CE	Yes
Conforms with RoHS directive	Yes
WEEE	Yes
Conforms with ATEX-directive	No
Conforms with CCC	No
Conforms with UL	cULus
UL Type Rating	Type 12
Conforms with FCC	No
Conforms with IC	No
EAC certificate available	Yes
Conforms with UKCA (Importer)	Yes (WERMA (UK) Ltd.)
Conforms with AS-I	No
ICAO Certification	No
Conforms with DNV	No
Conforms with RoHS CN	No
Conforms with VdS	No
MTTF-value [years]	566

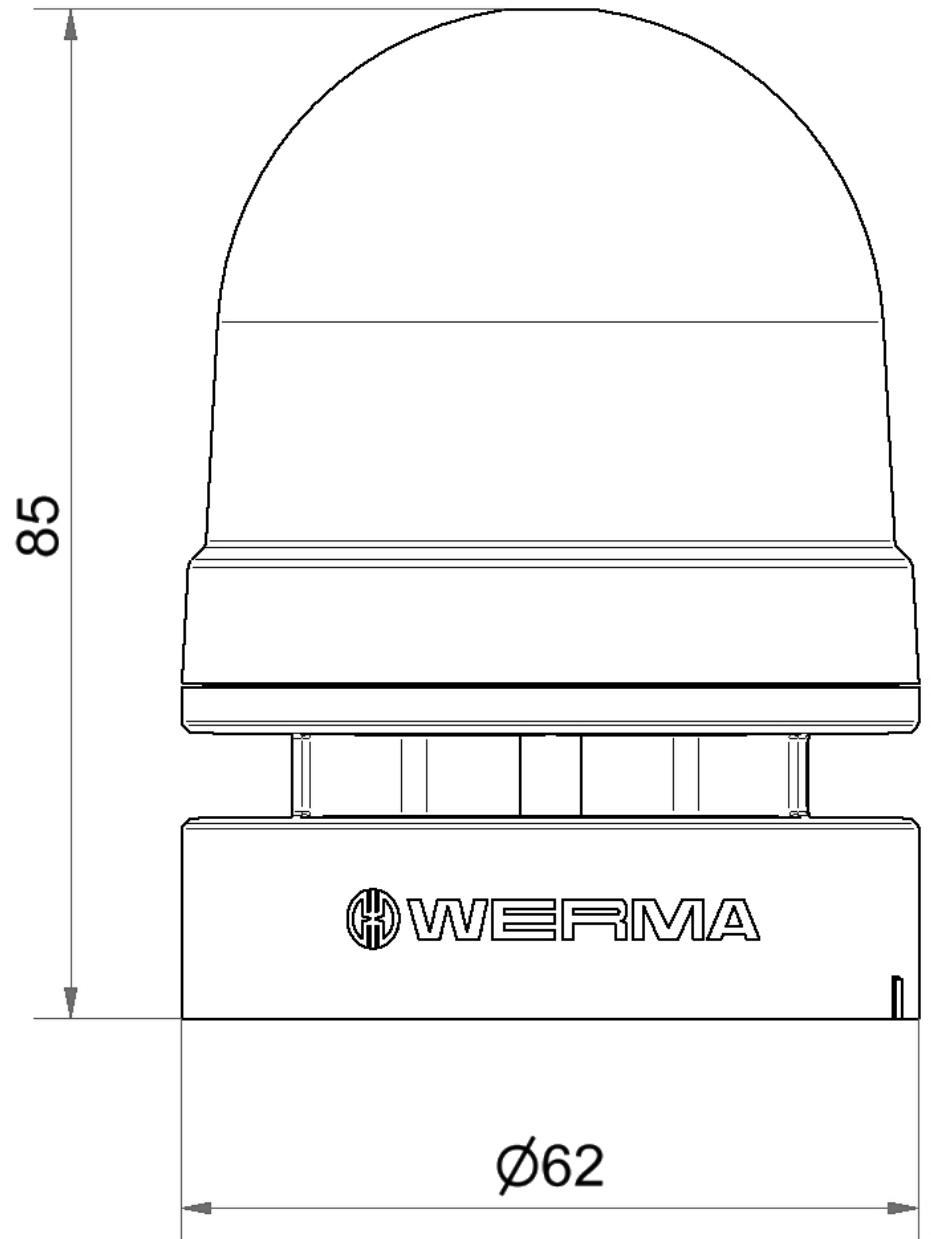


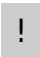
For additional installation and mounting information, refer to the appropriate user guide at www.werma.com. This printed copy is for information only and is subject to alteration.

Mini / EvoSIGNAL

Mini TwinFLASH Combi 12VAC/DC RD

DRAWING



 For additional installation and mounting information, refer to the appropriate user guide at www.werma.com. This printed copy is for information only and is subject to alteration.