

Mini / EvoSIGNAL

**Mini TwinLIGHT Combi 115-230VAC RD**

|                  |                   |
|------------------|-------------------|
| <b>Part No.:</b> | <b>460.110.60</b> |
| <b>Series:</b>   | <b>EvoSIGNAL</b>  |

**MECHANICAL DATA**

|                              |                             |
|------------------------------|-----------------------------|
| Height                       | 85 mm                       |
| Diameter                     | 62 mm                       |
| Materials                    | PC<br>PC/ABS                |
| Dome colour                  | Red                         |
| Housing colour               | Grey                        |
| Protection category          | IP66                        |
| Connection                   | Push-in terminal            |
| cross-sectional area minimum | 0,25mm <sup>2</sup> / 24AWG |
| cross-sectional area maximum | 1,50mm <sup>2</sup> / 16AWG |
| Type of fixing               | Adapter required            |
| Working temperature minimum  | -30°C                       |
| Working temperature maximum  | +60°C                       |
| Weight with packaging        | 100 g                       |
| Product weight               | 78 g                        |

**ELECTRICAL DATA**

|                             |                              |
|-----------------------------|------------------------------|
| Operating voltage           | 115-230V                     |
| Operating voltage type      | AC                           |
| Operating voltage frequency | 50Hz at 230V<br>60Hz at 115V |
| Operating voltage tolerance | +/- 10%                      |
| Rated operational voltage   | 230 VAC                      |
| Rated operational current   | 65 mA                        |
| Rated inrush current        | 2000 mA                      |
| Protection class            | Protection class 2           |
| Pollution degree            | 3                            |
| Overtoltage category        | II                           |
| Isolation voltage           | Ui = 250V; Uimp = 2.500V     |

**OPTICAL DATA**

|                              |                                 |
|------------------------------|---------------------------------|
| Light source                 | LED                             |
| Light colour                 | Red                             |
| Optical signal image         | Blink<br>Permanent<br>TwinLight |
| Blink frequency              | 1 Hz                            |
| Service life optical         | 50,000 h minimum                |
| Pulse- & pause Duration [ms] | 416ON, 502OFF                   |



For additional installation and mounting information, refer to the appropriate user guide at [www.werma.com](http://www.werma.com). This printed copy is for information only and is subject to alteration.

Mini / EvoSIGNAL

## Mini TwinLIGHT Combi 115-230VAC RD

| ACOUSTIC DATA               |                               |
|-----------------------------|-------------------------------|
| Volume (max) at 1m distance | 95,0 dB (A)                   |
| Acoustic signal image       | Continuous tone<br>Pulse tone |
| Number of tones             | 2 tone                        |
| Audio frequency             | 4000 Hz                       |
| Acoustic service life       | 5,000 h minimum               |

| APPROVAL DATA                 |                       |
|-------------------------------|-----------------------|
| Conforms with CE              | Yes                   |
| Conforms with RoHS directive  | Yes                   |
| WEEE                          | Yes                   |
| Conforms with ATEX-directive  | No                    |
| Conforms with CCC             | Yes                   |
| Conforms with UL              | cULus                 |
| UL Type Rating                | Type 12               |
| Conforms with FCC             | No                    |
| Conforms with IC              | No                    |
| EAC certificate available     | Yes                   |
| Conforms with UKCA (Importer) | Yes (WERMA (UK) Ltd.) |
| Conforms with AS-I            | No                    |
| ICAO Certification            | No                    |
| Conforms with DNV             | No                    |
| Conforms with RoHS CN         | No                    |
| Conforms with VdS             | No                    |
| MTTF-value [years]            | 536                   |

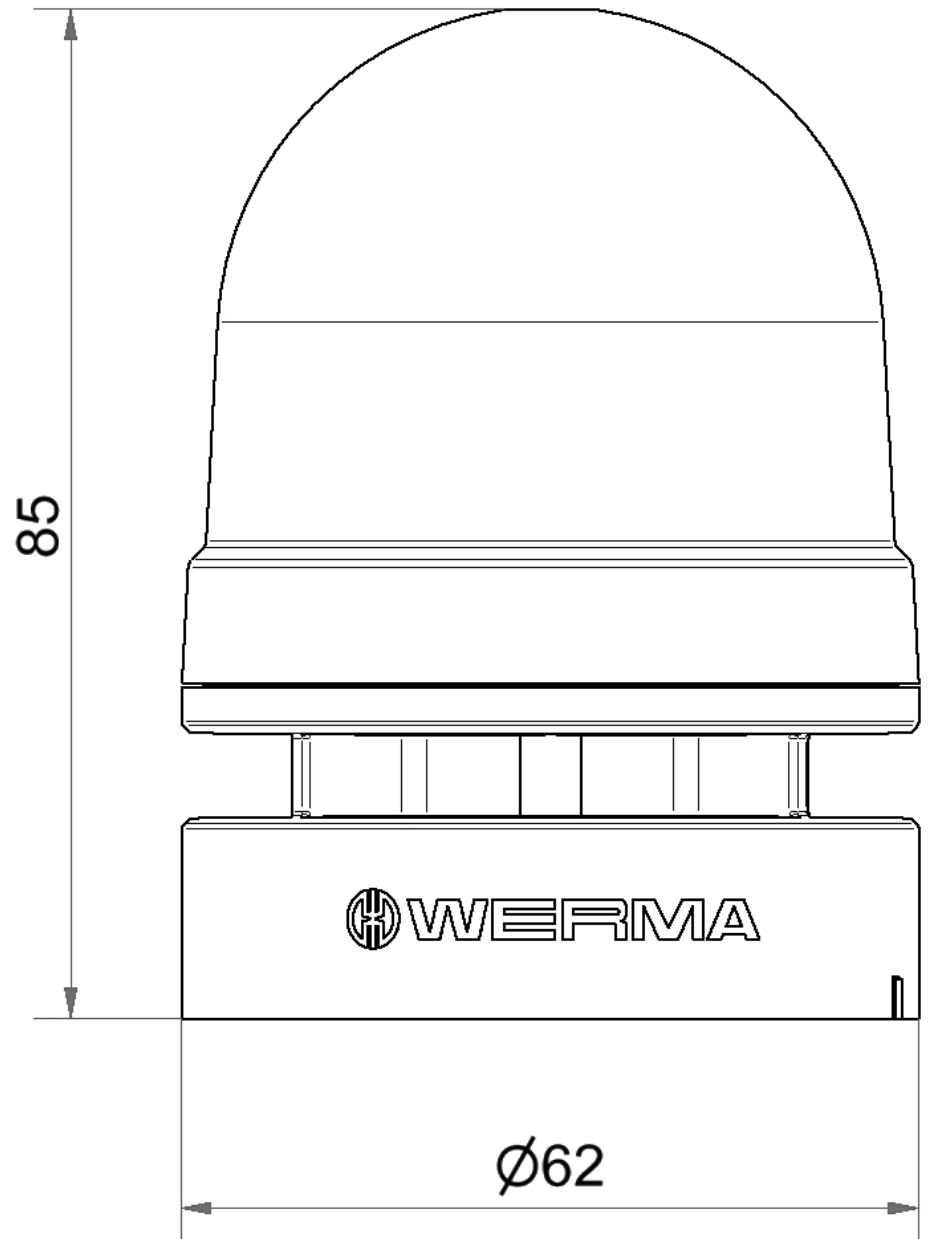


For additional installation and mounting information, refer to the appropriate user guide at [www.werma.com](http://www.werma.com). This printed copy is for information only and is subject to alteration.

Mini / EvoSIGNAL

**Mini TwinLIGHT Combi 115-230VAC RD**

**DRAWING**



For additional installation and mounting information, refer to the appropriate user guide at [www.werma.com](http://www.werma.com). This printed copy is for information only and is subject to alteration.