

Signal lights / D62/D85/D120

D85 Perm./Blink./Sounder 24VDC YE



Part No.: 410.832.35



MECHANICAL DATA

Height	125 mm
Diameter	85 mm
Materials	PC PC/ABS
Dome colour	Yellow
Housing colour	Grey
Protection category	IP66
Connection	Push-in terminal
cross-sectional area minimum	0,25mm ² / 24AWG
cross-sectional area maximum	1,50mm ² / 16AWG
Cable entry minimum	d = 8 mm
Cable entry maximum	d = 12 mm
Type of fixing	Base mounting Tube mounting
Working temperature minimum	-30°C
Working temperature maximum	+50°C

ELECTRICAL DATA

Operating voltage	24V
Operating voltage type	DC
Operating voltage tolerance	+/- 10%
Rated operational voltage	24 VDC
Rated operational current	140 mA
Rated inrush current	250 mA
Protection class	Protection class 2
Pollution degree	3 In the connection area: 2

OPTICAL DATA

Light source	LED
Light colour	White
Optical signal image	Blink Permanent
Service life optical	50,000 h maximum

ACOUSTIC DATA

Volume (max) at 1m distance	85dB
Acoustic signal image	Continuous tone Pulse tone
Number of tones	2 tone



For additional installation and mounting information, refer to the appropriate user guide at www.werma.com. This printed copy is for information only and is subject to alteration.

Signal lights / D62/D85/D120

D85 Perm./Blink./Sounder 24VDC YE

Volume adjustable	Switch
Acoustic service life	5,000 h minimum

APPROVAL DATA

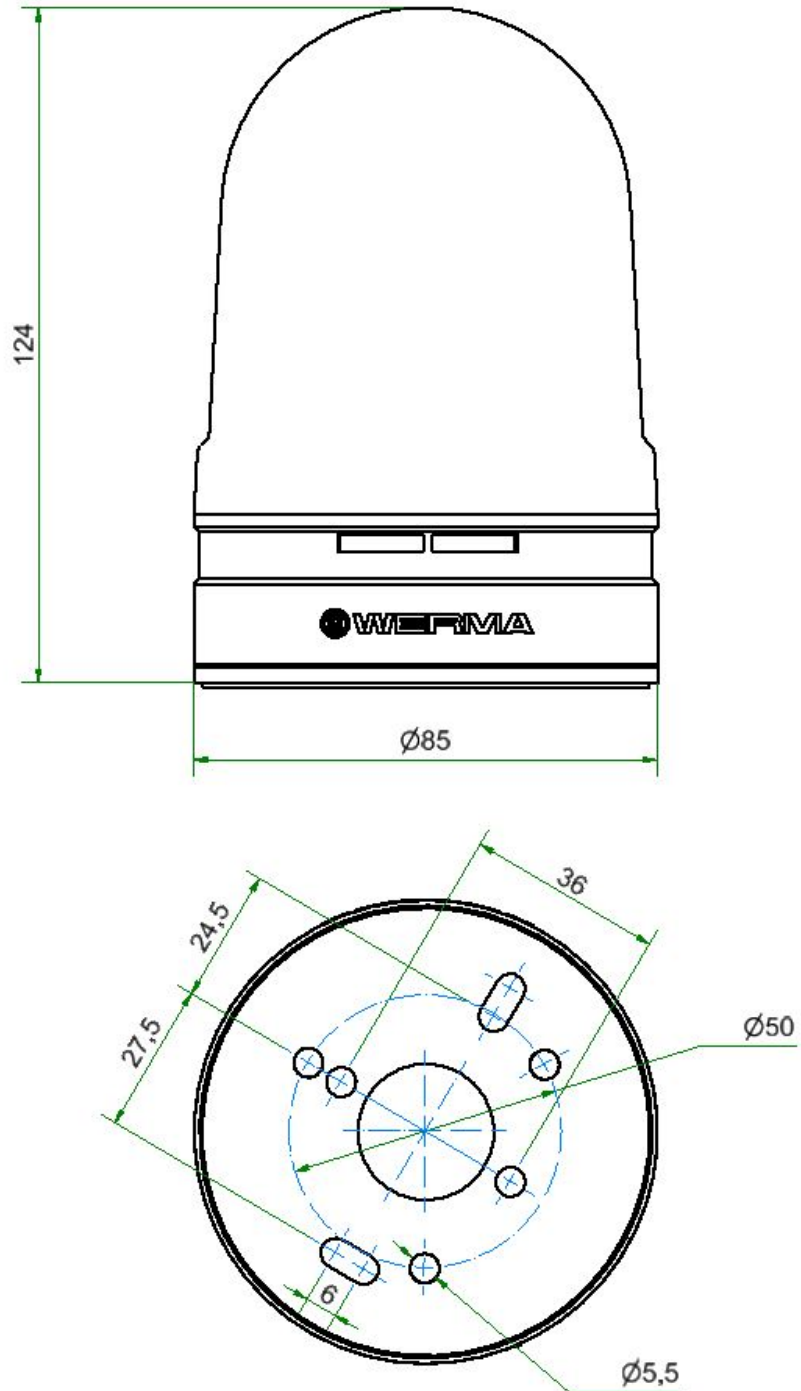
Conforms with CE	Yes
Conforms with RoHS directive	Yes
WEEE	Yes
Conforms with UKCA (Importer)	Yes (WERMA (UK) Ltd.)
Conforms with RoHS CN	10 years

! For additional installation and mounting information, refer to the appropriate user guide at www.werma.com. This printed copy is for information only and is subject to alteration.

Signal lights / D62/D85/D120

D85 Perm./Blink./Sounder 24VDC YE

DRAWING



! For additional installation and mounting information, refer to the appropriate user guide at www.werma.com. This printed copy is for information only and is subject to alteration.