

Signal lights / D62/D85/D120

D120 Per/Bli/Fla/Rot/Sounder 24VDC RD



Part No.: 410.060.45



MECHANICAL DATA	
Height	170 mm
Diameter	120 mm
Materials	PC PC/ABS
Dome colour	Red
Housing colour	Grey
Protection category	IP66
Connection	Push-in terminal
Type of fixing	Base mounting
Working temperature minimum	-30°C
Working temperature maximum	+50°C

ELECTRICAL DATA	
Operating voltage	24V
Operating voltage type	DC
Operating voltage tolerance	+/- 10%
Rated operational voltage	24 VDC
Rated operational current	800 mA
Rated inrush current	1000mA
Protection class	Protection class 2
Pollution degree	3 In the connection area: 2

OPTICAL DATA	
Light source	LED
Light colour	Red
Optical signal image	Blink Flash Permanent Revolving
Service life optical	50,000 h maximum

ACOUSTIC DATA	
Volume (max) at 1m distance	100dB
Acoustic signal image	Alternating tone Multi-tone Pulse tone
Number of tones	3 tone
Volume adjustable	Switch
Acoustic service life	5,000 h minimum

! For additional installation and mounting information, refer to the appropriate user guide at www.werma.com. This printed copy is for information only and is subject to alteration.

Signal lights / D62/D85/D120

D120 Per/Bli/Fla/Rot/Sounder 24VDC RD

APPROVAL DATA	
Conforms with CE	Yes
Conforms with RoHS directive	Yes
WEEE	Yes
Conforms with UKCA (Importer)	Yes (WERMA (UK) Ltd.)
Conforms with RoHS CN	10 years

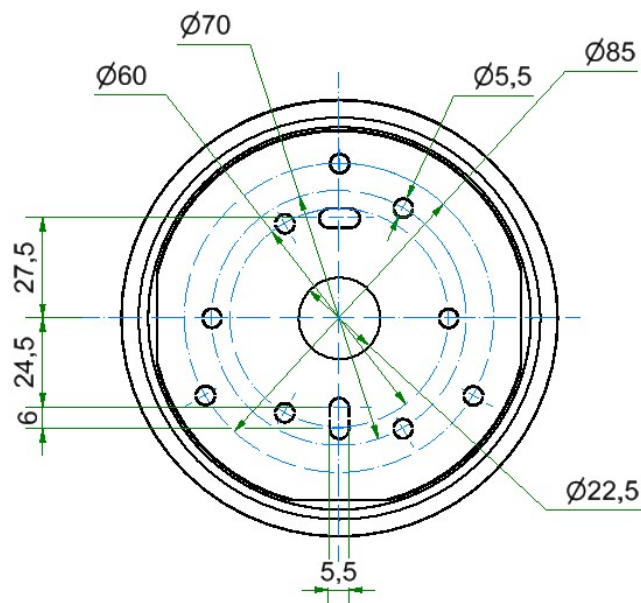
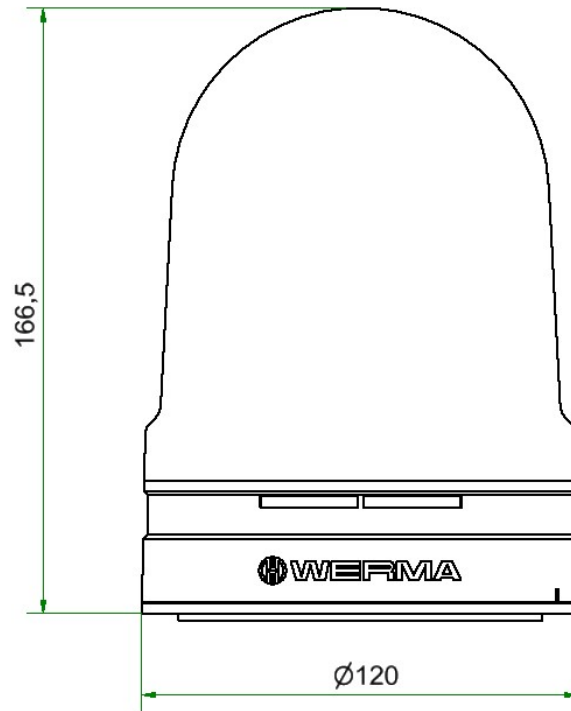


For additional installation and mounting information, refer to the appropriate user guide at www.werma.com. This printed copy is for information only and is subject to alteration.

Signal lights / D62/D85/D120

D120 Per/Bli/Fla/Rot/Sounder 24VDC RD

DRAWING



For additional installation and mounting information, refer to the appropriate user guide at www.werma.com. This printed copy is for information only and is subject to alteration.