

Mini Horns Sirens Buzzer / EvoSIGNAL

Mini Sounder contin/pulse 12VAC/DC GY

Part No.:	160.700.74
Series:	EvoSIGNAL

**MECHANICAL DATA**

Height	85 mm
Diameter	62 mm
Materials	PC PC/ABS
Housing colour	Grey
Protection category	IP66
Connection	Push-in terminal
cross-sectional area minimum	0,25mm ² / 24AWG
cross-sectional area maximum	1,50mm ² / 16AWG
Type of fixing	Adapter required
Working temperature minimum	-30°C
Working temperature maximum	+60°C
Weight with packaging	100 g
Product weight	78 g

ELECTRICAL DATA

Operating voltage	12V
Operating voltage type	AC/DC
Operating voltage frequency	50Hz
Operating voltage tolerance	+/- 10%
Rated operational voltage	12 VDC
Rated operational current	30 mA
Rated inrush current	800 mA
Protection class	Protection class 2
Pollution degree	3
Overtoltage category	III

ACOUSTIC DATA

Volume (max) at 1m distance	95,0 dB (A)
Acoustic signal image	Continuous tone Pulse tone
Number of tones	2 tone
Audio frequency	4000 Hz
Acoustic service life	5,000 h minimum

APPROVAL DATA

Conforms with CE	Yes
Conforms with RoHS directive	Yes
WEEE	Yes
Conforms with ATEX-directive	No



For additional installation and mounting information, refer to the appropriate user guide at www.werma.com. This printed copy is for information only and is subject to alteration.

Mini Horns Sirens Buzzer / EvoSIGNAL

Mini Sounder contin/pulse 12VAC/DC GY

Conforms with CCC	No
Conforms with UL	cULus
UL Type Rating	Type 12
Conforms with FCC	No
Conforms with IC	No
EAC certificate available	No
Conforms with UKCA (Importer)	Yes (WERMA (UK) Ltd.)
Conforms with AS-I	No
ICAO Certification	No
Conforms with DNV	No
Conforms with RoHS CN	No
Conforms with VdS	No
MTTF-value [years]	1925

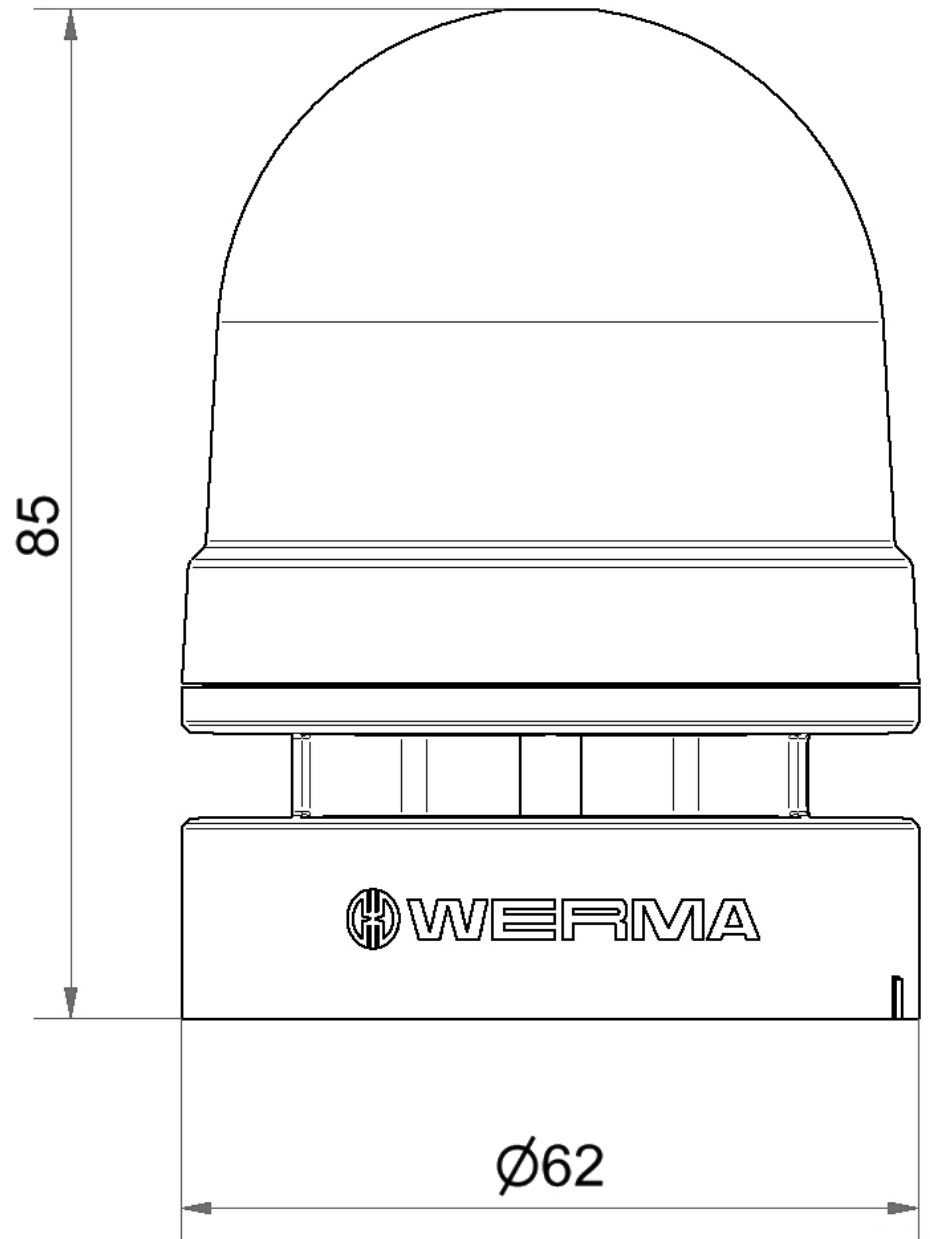


For additional installation and mounting information, refer to the appropriate user guide at www.werma.com. This printed copy is for information only and is subject to alteration.

Mini Horns Sirens Buzzer / EvoSIGNAL

Mini Sounder contin/pulse 12VAC/DC GY

DRAWING



For additional installation and mounting information, refer to the appropriate user guide at www.werma.com. This printed copy is for information only and is subject to alteration.