

## Permanent Light 826 / Accessories Wire guard SR



**Part No.:** 975.826.03

### MECHANICAL DATA

Height	163 mm
Diameter	146 mm
Materials	Steel
Housing colour	Silver
Weight with packaging	140 g
Product weight	140 g

### APPROVAL DATA

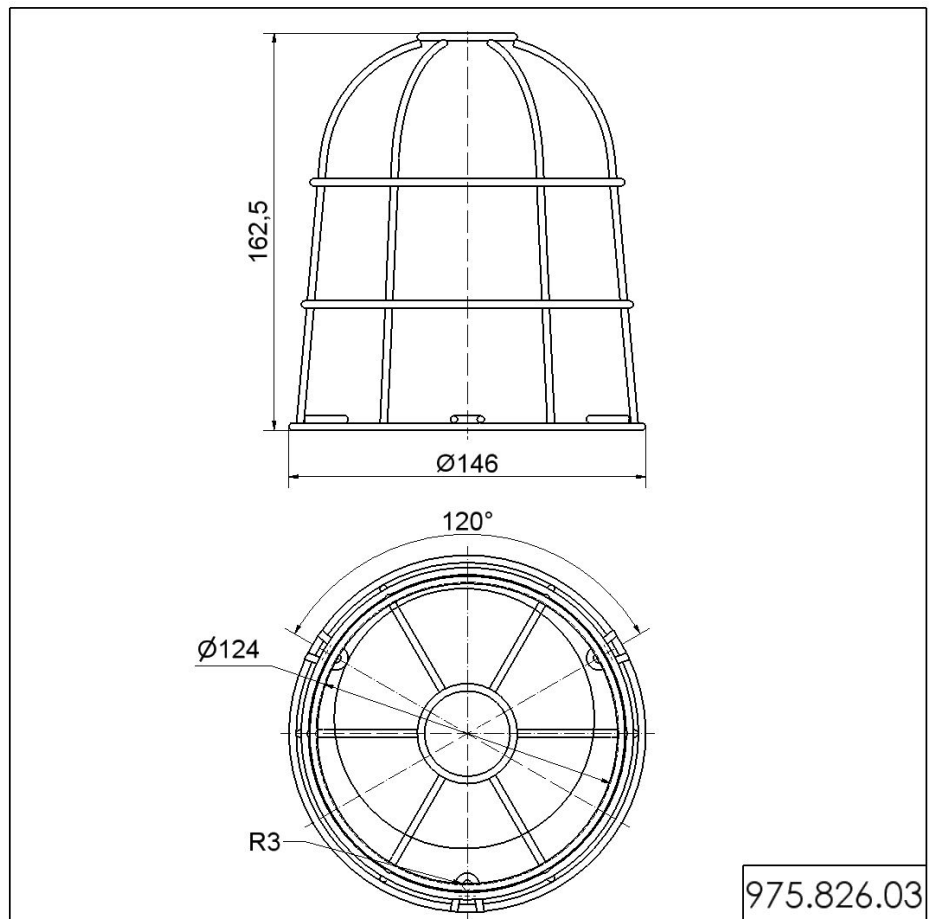
Conforms with RoHS directive	Fulfills substance restriction
WEEE	No
Conforms with ATEX-directive	No
Conforms with CCC	No
Conforms with UL	No
Conforms with FCC	No
Conforms with IC	No
EAC certificate available	No
Conforms with AS-I	No
ICAO Certification	No
Conforms with DNV	No
Conforms with RoHS CN	No



For additional installation and mounting information, refer to the appropriate user guide at [www.werma.com](http://www.werma.com). This printed copy is for information only and is subject to alteration.

Permanent Light 826 / Accessories  
**Wire guard SR**

**DRAWING**



For additional installation and mounting information, refer to the appropriate user guide at [www.werma.com](http://www.werma.com). This printed copy is for information only and is subject to alteration.