

KombiSIGN 70 / Accessories

Bracket for wall mount. BK



Part No.: 960.000.02

MECHANICAL DATA

Length	77 mm
Width	55 mm
Height	57 mm
Diameter	55 mm
Materials	PA-GF
Housing colour	Black
Weight with packaging	43 g
Product weight	40 g

APPROVAL DATA

Conforms with CE	No
Conforms with RoHS directive	Fulfills substance restriction
WEEE	No
Conforms with ATEX-directive	No
Conforms with CCC	No
Conforms with UL	No
Conforms with FCC	No
Conforms with IC	No
EAC certificate available	No
Conforms with UKCA (Importer)	No
Conforms with AS-I	No
ICAO Certification	No
Conforms with DNV	No
Conforms with RoHS CN	No

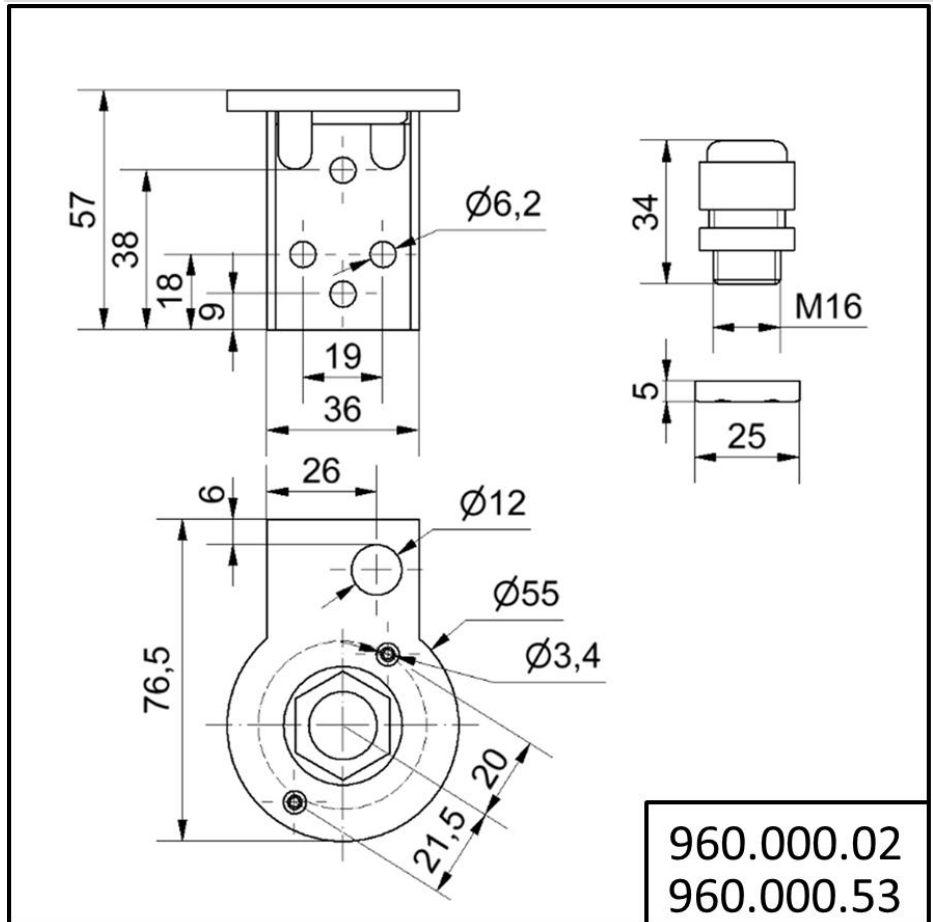


For additional installation and mounting information, refer to the appropriate user guide at www.werma.com. This printed copy is for information only and is subject to alteration.

KombiSIGN 70 / Accessories

Bracket for wall mount. BK

DRAWING



! For additional installation and mounting information, refer to the appropriate user guide at www.werma.com. This printed copy is for information only and is subject to alteration.