

Midi free-standing Beacons / LED Permanent-/ Blink-/ Revolving Light 829  
**LED Perm./Blink/Rot. Beacon RM 24VDC BU**



Part No.: 829.557.55



| MECHANICAL DATA              |                             |
|------------------------------|-----------------------------|
| Height                       | 200 mm                      |
| Diameter                     | 98 mm                       |
| Materials                    | PC<br>PC/ABS                |
| Dome colour                  | Blue                        |
| Housing colour               | Black                       |
| Protection category          | IP65                        |
| Connection                   | Screw terminals             |
| cross-sectional area maximum | 2,50mm <sup>2</sup> / 14AWG |
| Cable entry                  | Through hole                |
| Cable entry maximum          | d = 11 mm                   |
| Type of fixing               | Tube mounting               |
| Working temperature minimum  | -20°C                       |
| Working temperature maximum  | +50°C                       |
| Weight with packaging        | 329 g                       |
| Product weight               | 260 g                       |

| ELECTRICAL DATA             |                    |
|-----------------------------|--------------------|
| Operating voltage           | 24V                |
| Operating voltage type      | DC                 |
| Operating voltage tolerance | +/- 10%            |
| Rated operational voltage   | 24 VDC             |
| Rated operational current   | 300 mA             |
| Rated inrush current        | 500 mA             |
| Protection class            | Protection class 2 |
| Pollution degree            | 3                  |

| OPTICAL DATA         |                  |
|----------------------|------------------|
| Light source         | LED              |
| Light colour         | Blue             |
| Optical signal image | Permanent        |
| Blink frequency      | 1.5 Hz           |
| Service life optical | 50,000 h maximum |
| Rotation speed (rpm) | 180 U/min        |

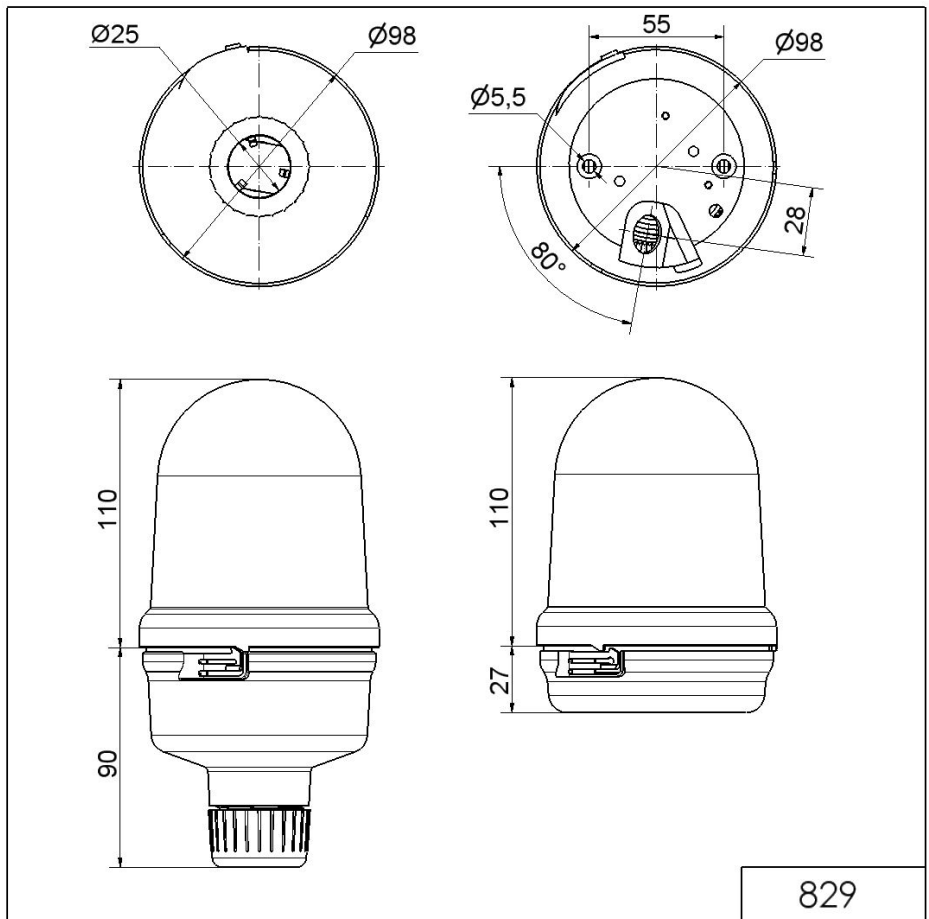
| APPROVAL DATA                |     |
|------------------------------|-----|
| Conforms with CE             | Yes |
| Conforms with RoHS directive | Yes |
| WEEE                         | Yes |

**!** For additional installation and mounting information, refer to the appropriate user guide at [www.werma.com](http://www.werma.com). This printed copy is for information only and is subject to alteration.

Midi free-standing Beacons / LED Permanent-/ Blink-/ Revolving Light 829  
**LED Perm./Blink/Rot. Beacon RM 24VDC BU**

|                               |                       |
|-------------------------------|-----------------------|
| Conforms with ATEX-directive  | No                    |
| Conforms with CCC             | No                    |
| Conforms with UL              | cULus                 |
| UL Type Rating                | Type 12               |
| Conforms with FCC             | No                    |
| Conforms with IC              | No                    |
| EAC certificate available     | Yes                   |
| Conforms with UKCA (Importer) | Yes (WERMA (UK) Ltd.) |
| Conforms with AS-I            | No                    |
| ICAO Certification            | No                    |
| Conforms with DNV             | No                    |
| Conforms with RoHS CN         | No                    |
| Conforms with VdS             | No                    |

**DRAWING**



! For additional installation and mounting information, refer to the appropriate user guide at [www.werma.com](http://www.werma.com). This printed copy is for information only and is subject to alteration.