

Midi free-standing Beacons / LED Permanent-/ Blink-/ Revolving Light 829
LED Perm./Blink/Rot. Beacon RM 24VDC RD



Part No.: 829.157.55



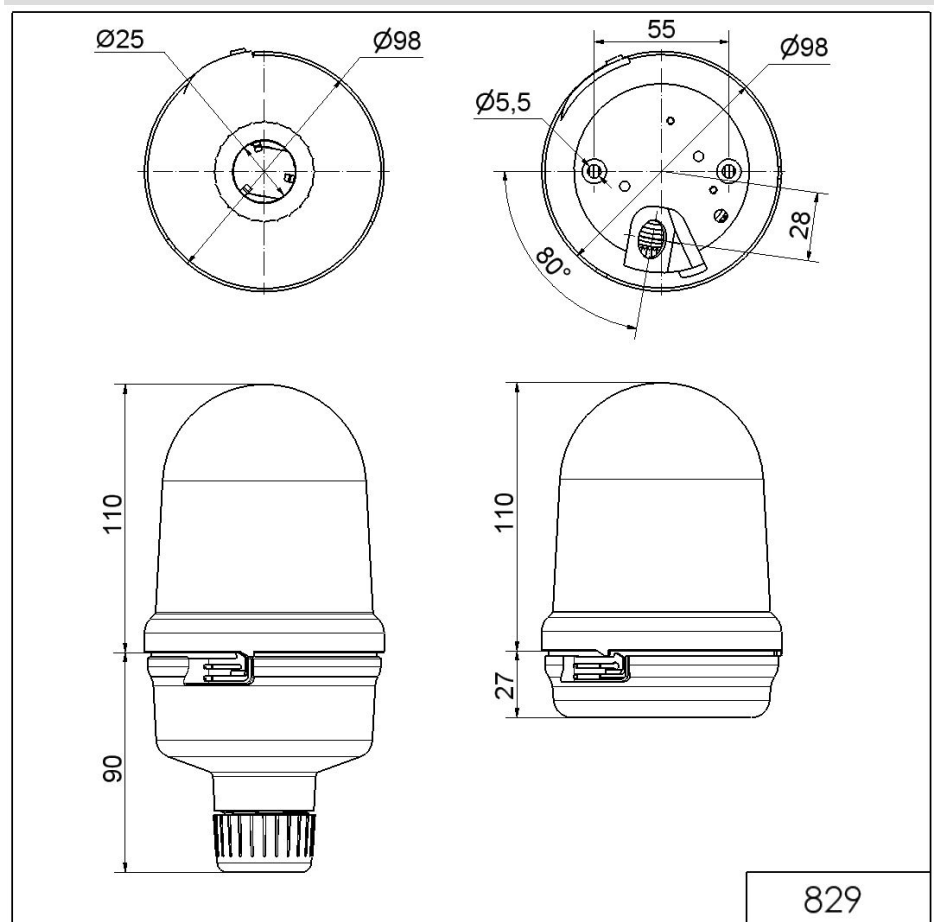
| MECHANICAL DATA | |
|------------------------------|-----------------------------|
| Height | 200 mm |
| Diameter | 98 mm |
| Materials | PC PC/ABS |
| Dome colour | Red |
| Housing colour | Black |
| Protection category | IP65 |
| Connection | Screw terminals |
| cross-sectional area maximum | 2,50mm ² / 14AWG |
| Cable entry | Through hole |
| Cable entry maximum | d = 11 mm |
| Type of fixing | Tube mounting |
| Working temperature minimum | -20°C |
| Working temperature maximum | +50°C |
| Weight with packaging | 325 g |
| Product weight | 256 g |
| ELECTRICAL DATA | |
| Operating voltage | 24V |
| Operating voltage type | DC |
| Operating voltage tolerance | +/- 10% |
| Rated operational voltage | 24 VDC |
| Rated operational current | 300 mA |
| Rated inrush current | 500 mA |
| Protection class | Protection class 2 |
| Pollution degree | 3 |
| OPTICAL DATA | |
| Light source | LED |
| Light colour | Red |
| Optical signal image | Permanent |
| Blink frequency | 1.5 Hz |
| Service life optical | 50,000 h maximum |
| Rotation speed (rpm) | 180 U/min |
| APPROVAL DATA | |
| Conforms with CE | Yes |
| Conforms with RoHS directive | Yes |
| WEEE | Yes |

! For additional installation and mounting information, refer to the appropriate user guide at www.werma.com. This printed copy is for information only and is subject to alteration.

Midi free-standing Beacons / LED Permanent-/ Blink-/ Revolving Light 829
LED Perm./Blink/Rot. Beacon RM 24VDC RD

| | |
|-------------------------------|-----------------------|
| Conforms with ATEX-directive | No |
| Conforms with CCC | No |
| Conforms with UL | cULus |
| UL Type Rating | Type 12 |
| Conforms with FCC | No |
| Conforms with IC | No |
| EAC certificate available | Yes |
| Conforms with UKCA (Importer) | Yes (WERMA (UK) Ltd.) |
| Conforms with AS-I | No |
| ICAO Certification | No |
| Conforms with DNV | No |
| Conforms with RoHS CN | No |
| Conforms with VdS | No |

DRAWING



829

! For additional installation and mounting information, refer to the appropriate user guide at www.werma.com. This printed copy is for information only and is subject to alteration.