

Monitorable Beacons / Monitored Signal Beacon 826

Monitored Perm. Beacon BM 24VDC CL



Part No.: 826.410.55



MECHANICAL DATA

| | |
|------------------------------|---|
| Height | 200 mm |
| Diameter | 98 mm |
| Materials | PC PC/ABS |
| Dome colour | Clear |
| Housing colour | Black |
| Protection category | IP65 |
| Connection | Screw terminals |
| cross-sectional area maximum | 2,50mm ² / 14AWG |
| Cable entry | Rubber pinch |
| Cable entry minimum | d = 5 mm |
| Cable entry maximum | d = 7 mm |
| Type of fixing | Base mounting Tube mounting Wall mounting |
| Working temperature minimum | 0°C |
| Working temperature maximum | +50°C |
| Weight with packaging | 259 g |
| Product weight | 213 g |

ELECTRICAL DATA

| | |
|-----------------------------|--------------------|
| Operating voltage | 24V |
| Operating voltage type | DC |
| Operating voltage tolerance | +/- 10% |
| Rated operational voltage | 24 VDC |
| Rated operational current | 300 mA |
| Rated inrush current | 2.000 mA |
| Protection class | Protection class 2 |
| Pollution degree | 3 |

OPTICAL DATA

| | |
|----------------------|-----------------|
| Light colour | White |
| Service life optical | depends on bulb |

APPROVAL DATA

| | |
|------------------------------|-----|
| Conforms with CE | Yes |
| Conforms with RoHS directive | Yes |
| WEEE | Yes |
| Conforms with ATEX-directive | No |
| Conforms with CCC | No |

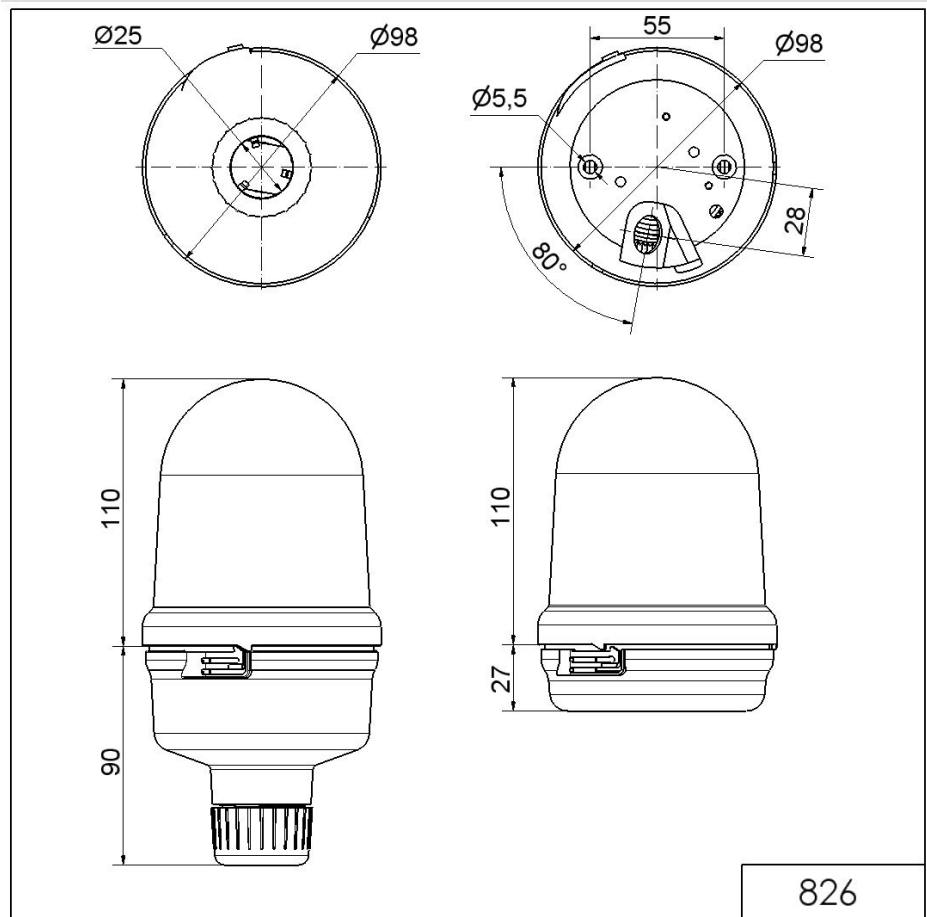


For additional installation and mounting information, refer to the appropriate user guide at www.werma.com. This printed copy is for information only and is subject to alteration.

Monitorable Beacons / Monitored Signal Beacon 826
Monitored Perm. Beacon BM 24VDC CL

| | |
|-------------------------------|-----------------------|
| Conforms with UL | cULus |
| UL Type Rating | Type 12 |
| Conforms with FCC | No |
| Conforms with IC | No |
| EAC certificate available | Yes |
| Conforms with UKCA (Importer) | Yes (WERMA (UK) Ltd.) |
| Conforms with CMIM | No |
| Conforms with AS-I | No |
| ICAO Certification | No |
| Conforms with DNV | No |
| Conforms with RoHS CN | No |
| Conforms with VdS | No |

DRAWING



826

! For additional installation and mounting information, refer to the appropriate user guide at www.werma.com. This printed copy is for information only and is subject to alteration.