

Maxi Beacons – 883/884/885 families

Your benefits

WERMA's Maxi Beacons give flexible signalling over larger distances. The IP65 rated units are ideally suited for use in both indoor and outdoor applications.

838 xenon double flash:

- Very bright, even in direct sunlight and over longer distances

883/884 rotating mirror beacons:

- High intensity light and robust housing
- Easy to connect, without removing the mechanical assembly

Typical applications

Signalling faults and relaying alarms

- In building technology
- For door and gate systems
- On machinery and plant equipment, over long distances

Installation options

- Base mounting
- Tube mounting
- Bracket mounting

Features

- Tamper-proof and shock-resistant up to 20 joules
- Optional wire guard to protect against mechanical damage

883/884 rotating mirror beacons:

- Quiet, with low-wear wheel and disc drive

884 revolving beacon:

- Special Fresnel lenses produce beams of light that can be seen over longer distances even in poor light conditions



Size comparison EvoSIGNAL Midi/Maxi/Heavy Duty



883 Rotating Mirror Beacon



Bracket (accessory)



Plastic bracket, adaptor for tube mounting and wire guard (accessories)

① TECHNICAL SPECIFICATIONS/ORDER SPECIFICATIONS:

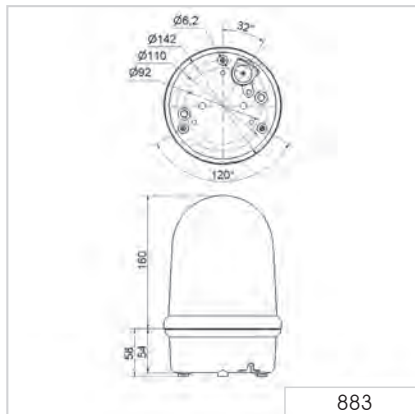
Dimensions (Ø x Height):	142 mm x 218 mm	
Housing:	PC/ABS	
Lens:	PC, transparent	
Fixing:	Base mounting, bracket mounting, tube mounting (accessory)	
Cable entry:	Cable diameter 5-7 mm	
Connection:	Screw terminal 0.5 -1.5 mm ²	
Drive:	Wheel and disc drive, motor in centre of gravity	
Mirror rotation rate:	180 r.p.m.	
Life duration LED:	> 50,000 hrs	
Duty cycle:	100 %	
Voltage:	24 V AC/DC	115 -230 V AC
Current consumption:	250 mA	95 mA
red	883 130 75	883 130 60
green	883 230 75	883 230 60
yellow	883 330 75	883 330 60
blue	883 530 75	883 530 60

Further colours and voltages on request.

✂ ACCESSORIES:

Plastic bracket for wall mounting	975 883 06
Adaptor for tube mounting	975 883 09
Base for tube mounting	975 840 91
Tube, Ø 25 mm, 100 mm long	975 845 10
Tube, Ø 25 mm, 250 mm long	975 840 25
Wire guard, only for base mounting	975 883 08

↔ TECHNICAL DIAGRAM:





885 Rotating Mirror Beacon



① TECHNICAL SPECIFICATIONS/ORDER SPECIFICATIONS:

Housing:	PC/ABS
Lens:	PC, transparent
Connection:	Screw terminal max. 1.5 mm ²
Cable entry:	Cable diameter 5-7 mm
Installation position:	Standing, Tube mounting if required
Mirror rotation rate:	c. 180 r.p.m.
Service life of drive:	> 5,000 hrs
Duty cycle:	100 %

Base/Bracket mounting

Dimensions (Ø x Height):	98 mm x 151 mm	
Voltage:	24 V AC/DC	115-230 V AC
Current consumption:	175 mA	65 mA
red	885 130 75	885 130 60
green	885 230 75	885 230 60
yellow	885 330 75	885 330 60
blue	885 530 75	885 530 60

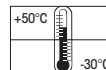
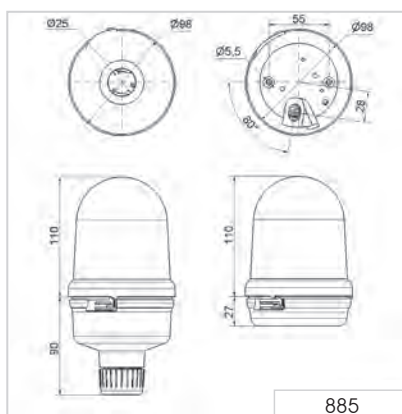
Tube mounting

Dimensions (Ø x Height):	98 mm x 200 mm	
Voltage:	24 V AC/DC	115-230 V AC
Current consumption:	175 mA	65 mA
red	885 140 75	885 140 60
green	885 240 75	885 240 60
yellow	885 340 75	885 340 60
blue	885 540 75	885 540 60

✂ ACCESSORIES:

Plastic bracket for wall mounting	975 826 05
Wire guard, galvanised, only for base mounting	975 826 03
Tube Ø 25 mm, all anodised aluminium	
100 mm long	975 845 10
250 mm long	975 840 25
Base for tube mounting, plastic, Ø 25 mm	975 840 90
Base for tube mounting, metal, Ø 25 mm	975 840 91

↔ SCHÉMAS:



884 Revolving Signal Beacon



Bracket
(accessory)



Plastic bracket, adaptor for tube mounting and wire guard
(accessories)

① TECHNICAL SPECIFICATIONS/ORDER SPECIFICATIONS:

Dimensions (Ø x Height):	142 mm x 218 mm	
Housing:	PC/ABS	
Lens:	PC, transparent	
Fixing:	Base mounting, bracket mounting, tube mounting (accessory)	
Cable entry:	Cable diameter 5-8 mm	
Connection:	Screw terminal 0.5 - 1.5 mm ²	
Drive:	Wheel and disc drive, motor in centre of gravity	
Mirror rotation rate:	60 r.p.m.	
Life duration LED:	> 50,000 hrs	
Duty cycle:	100 %	
Voltage:	24 V AC/DC	115-230 V AC
Current consumption:	250 mA	95 mA
red	884 130 75	884 130 60
green	884 230 75	884 230 60
yellow	884 330 75	884 330 60
blue	884 530 75	884 530 60

Further colours and voltages on request.

✂ ACCESSORIES:

Plastic bracket for wall mounting	975 883 06
Adaptor for tube mounting	975 883 09
Base for tube mounting	975 840 91
Tube, Ø 25 mm, 100 mm long	975 845 10
Tube, Ø 25 mm, 250 mm long	975 840 25
Wire guard, only for base mounting	975 883 08

↔ TECHNICAL DIAGRAM:

