



# AndonCONTROL / Connection Set for KombiSIGN 72 and 71



AndonCONTROL is a simple call system for a wide variety of applications



The four push buttons can be individually labelled



With the aid of the connection set, the master/receiver from KombiSIGN reflect can be used wherever an electrical socket is available (see page 55)

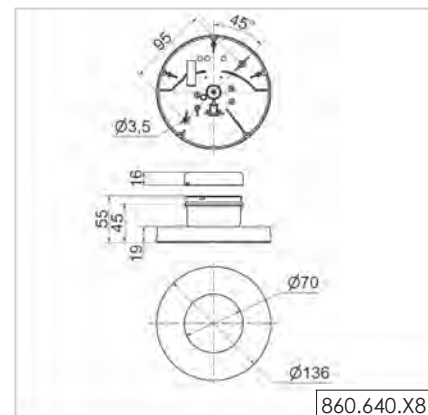
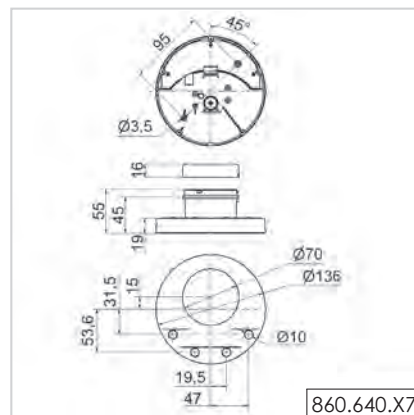
## TECHNICAL SPECIFICATIONS/ORDER SPECIFICATIONS:

Dimensions (Ø x Height):	136 mm x 55 mm	
Housing:	Base: PC/ABS Terminal element: PA-GF, shock resistant	
Fixing:	Base mounting, Bracket mounting (accessory)	
Number of signal elements:	Max. 4 additional signal elements possible	
Assembly:	AndonCONTROL, power supply unit with connection cable (length 1.8 m), interchangeable adaptors for EU, UK, North America, rubber feet, cable connection	Connection Set, power supply unit with connection cable (length 1.8 m), interchangeable adaptors for EU, UK, North America, rubber feet, cable connection
Voltage power supply unit:	115-230 V AC	115-230 V AC
Voltage signal elements:	24 V DC	24 V DC
Current consumption:	Max. 1 A	Max. 1 A
Order no.:	<b>860 640 07</b>	<b>860 640 08</b>

## ACCESSORIES:

Mounting bracket, metal	<b>975 883 01</b>
-------------------------	-------------------

## TECHNICAL DIAGRAMS:



860 640 07

860 640 08

