

MC55 / Zubehör

Fixing bracket M30



Part No.: 960.009.32

MECHANICAL DATA	
Length	55 mm
Height	35 mm
Materials	Aluminium
Housing colour	Black
Weight with packaging	21 g
Product weight	21 g

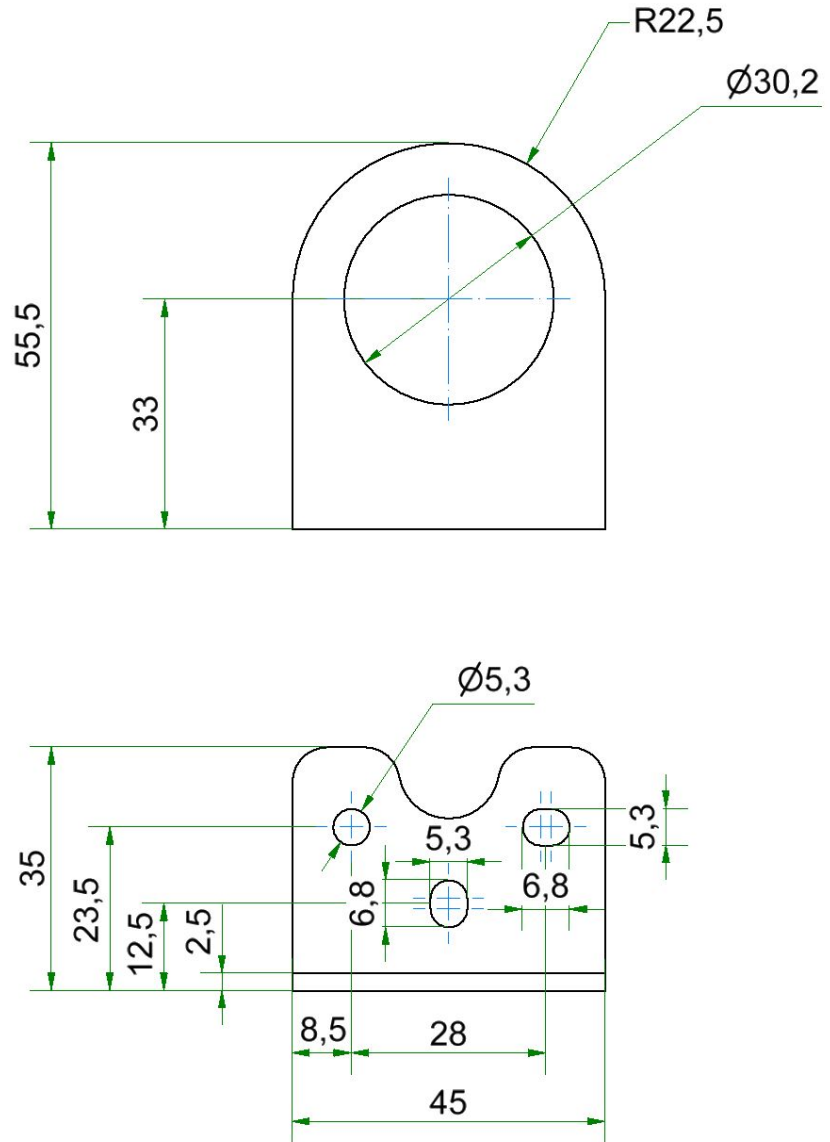
APPROVAL DATA	
Conforms with RoHS directive	Fulfills substance restriction

! For additional installation and mounting information, refer to the appropriate user guide at www.werma.com. This printed copy is for information only and is subject to alteration.

MC55 / Zubehör

Fixing bracket M30

DRAWING



For additional installation and mounting information, refer to the appropriate user guide at www.werma.com. This printed copy is for information only and is subject to alteration.