

Signal Towers / Accessories

Foldable base FB180 GY



Part No.: 960.009.19

MECHANICAL DATA

Weight with packaging	108 g
Product weight	96 g

APPROVAL DATA

Conforms with CE	No
WEEE	No
Conforms with CCC	No
Conforms with FCC	No
Conforms with IC	No
EAC certificate available	No
Conforms with AS-I	No
Conforms with DNV	No
Conforms with RoHS CN	No
Conforms with VdS	No

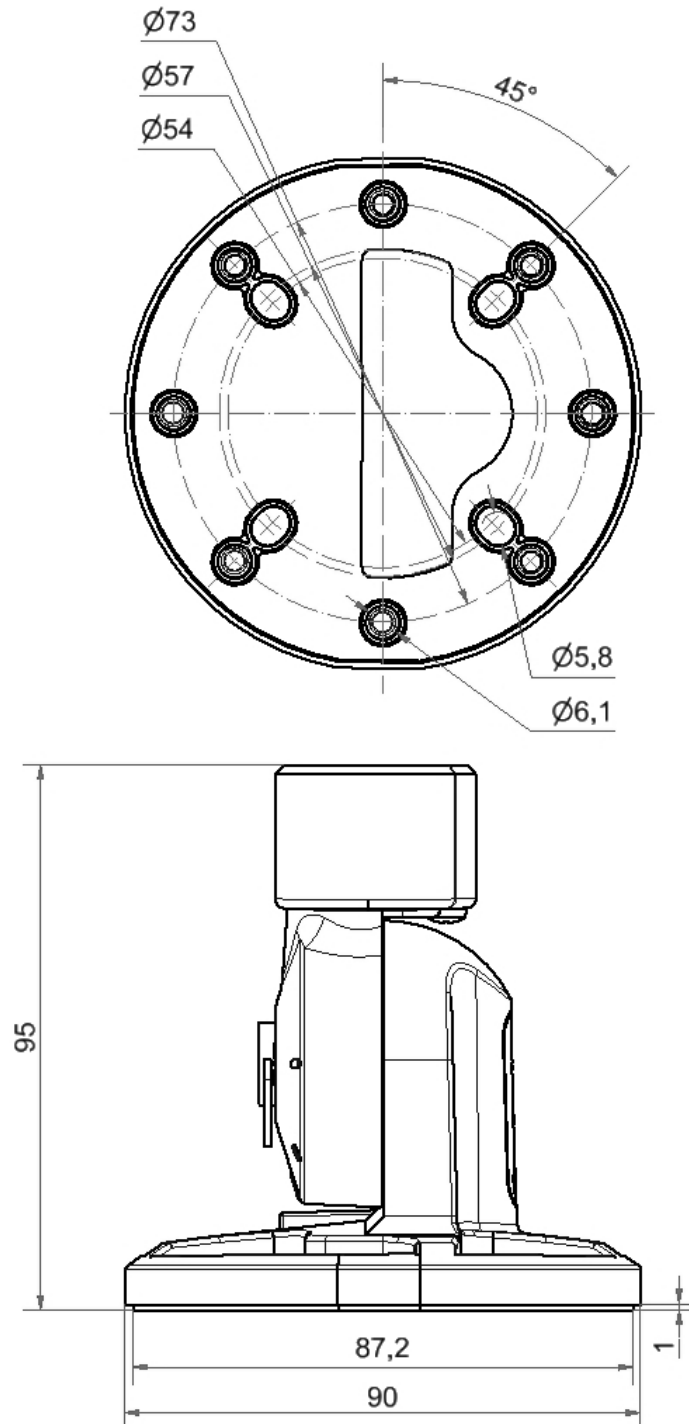


For additional installation and mounting information, refer to the appropriate user guide at www.werma.com. This printed copy is for information only and is subject to alteration.

Signal Towers / Accessories

Foldable base FB180 GY

DRAWING



! For additional installation and mounting information, refer to the appropriate user guide at www.werma.com. This printed copy is for information only and is subject to alteration.