

Signal Towers / Accessories

Foldable base FB180 GY



Part No.: 960.009.18

MECHANICAL DATA	
Height	95 mm
Diameter	90 mm
Materials	PC/ABS
Housing colour	Grey
Protection category	IP40
Cable entry maximum	d = 7 mm
Weight with packaging	108 g
Product weight	96 g

APPROVAL DATA	
Conforms with CE	No
WEEE	No
Conforms with CCC	No
Conforms with FCC	No
Conforms with IC	No
EAC certificate available	No
Conforms with AS-I	No
ICAO Certification	No
Conforms with DNV	No
Conforms with RoHS CN	No
Conforms with VdS	No

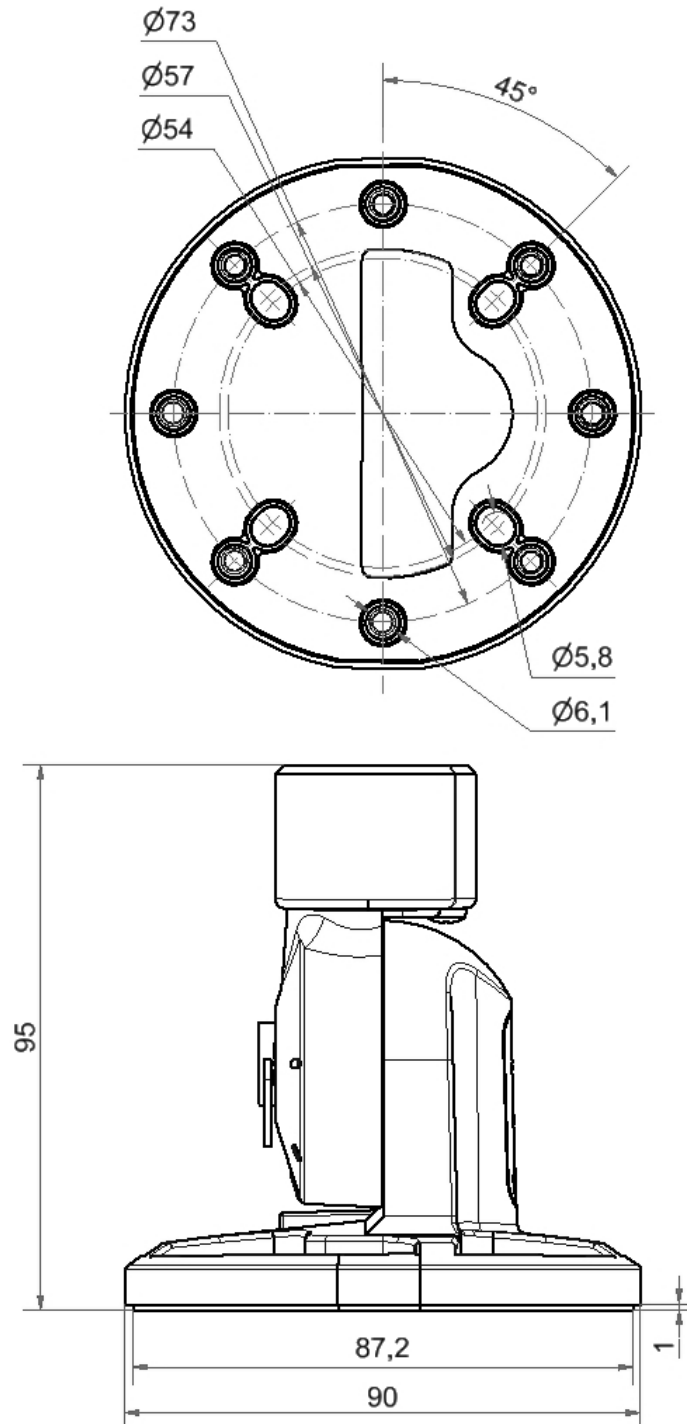


For additional installation and mounting information, refer to the appropriate user guide at www.werma.com. This printed copy is for information only and is subject to alteration.

Signal Towers / Accessories

Foldable base FB180 GY

DRAWING



! For additional installation and mounting information, refer to the appropriate user guide at www.werma.com. This printed copy is for information only and is subject to alteration.