

Systems for optimising production / Accessories Bracket for base mount. GY



Part No.: 960.000.54

MECHANICAL DATA

Length	70 mm
Width	88 mm
Height	57 mm
Diameter	71 mm
Materials	PA-GF
Housing colour	Grey
Weight with packaging	60 g
Product weight	60 g

APPROVAL DATA

Conforms with CE	No
WEEE	No
Conforms with ATEX-directive	No
Conforms with CCC	No
Conforms with UL	No
Conforms with FCC	No
Conforms with IC	No
EAC certificate available	No
Conforms with UKCA (Importer)	No
Conforms with AS-I	No
ICAO Certification	No
Conforms with DNV	No
Conforms with RoHS CN	No

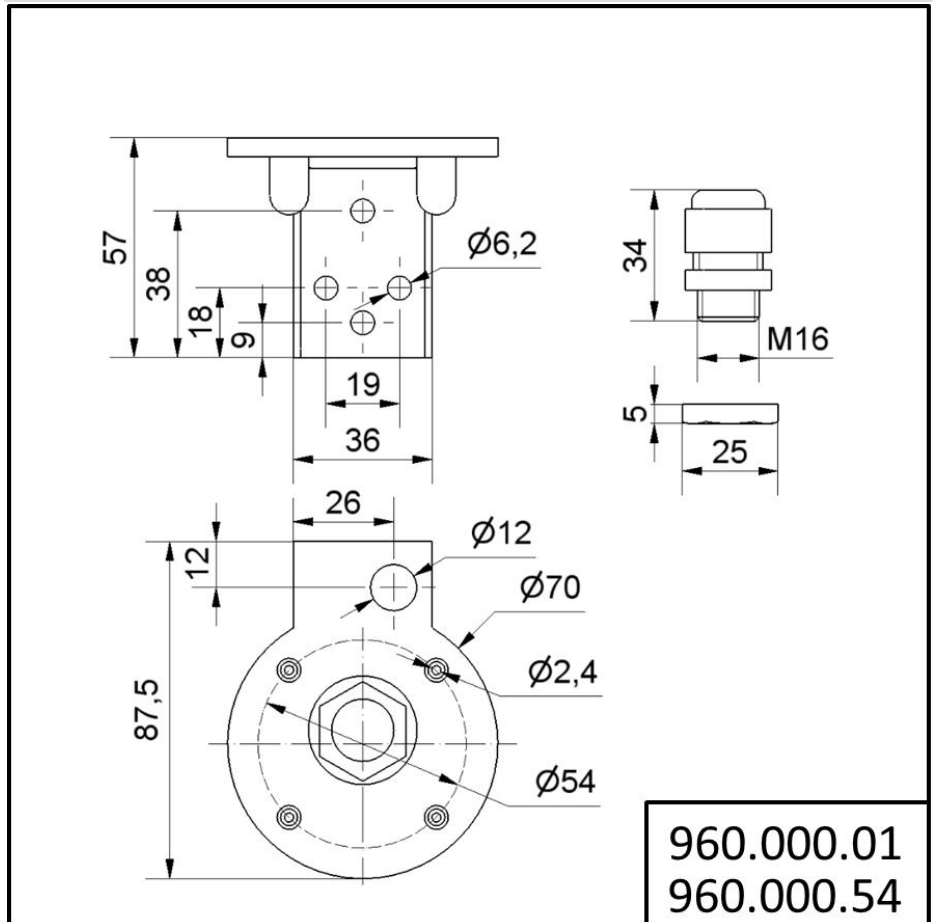


For additional installation and mounting information, refer to the appropriate user guide at www.werma.com. This printed copy is for information only and is subject to alteration.

Systems for optimising production / Accessories

Bracket for base mount. GY

DRAWING



! For additional installation and mounting information, refer to the appropriate user guide at www.werma.com. This printed copy is for information only and is subject to alteration.