

Maxi free-standing Beacons / Rotating Mirror Light 883  
**Rotating Mirror Beacon LED 115-230VAC RD**



Part No.: 883.130.60



| MECHANICAL DATA              |                             |
|------------------------------|-----------------------------|
| Height                       | 218 mm                      |
| Diameter                     | 142 mm                      |
| Materials                    | PC<br>PC/ABS                |
| Dome colour                  | Red                         |
| Housing colour               | Black                       |
| Protection category          | IP65                        |
| Connection                   | Screw terminals             |
| cross-sectional area maximum | 1,50mm <sup>2</sup> / 16AWG |
| Cable entry                  | Rubber pinch                |
| Cable entry minimum          | d = 5 mm                    |
| Cable entry maximum          | d = 7 mm                    |
| Tension relief               | Pull-out protection         |
| Type of fixing               | Base mounting               |
| Working temperature minimum  | -30°C                       |
| Working temperature maximum  | +50°C                       |
| Weight with packaging        | 765 g                       |
| Product weight               | 676 g                       |

| ELECTRICAL DATA             |                          |
|-----------------------------|--------------------------|
| Operating voltage           | 115-230V                 |
| Operating voltage type      | AC                       |
| Operating voltage frequency | 50Hz<br>60Hz             |
| Operating voltage tolerance | +/- 10%                  |
| Rated operational voltage   | 230 VAC                  |
| Rated operational current   | 95 mA                    |
| Rated inrush current        | 1.400 mA                 |
| Protection class            | Protection class 2       |
| Pollution degree            | 3                        |
| Overvoltage category        | II                       |
| Isolation voltage           | Ui = 250V; Uimp = 2.500V |

| OPTICAL DATA         |                  |
|----------------------|------------------|
| Light source         | LED              |
| Light colour         | Red              |
| Optical signal image | Revolving        |
| Service life optical | 50,000 h minimum |
| Rotation speed (rpm) | 180 U/min        |

**!** For additional installation and mounting information, refer to the appropriate user guide at [www.werma.com](http://www.werma.com). This printed copy is for information only and is subject to alteration.

Maxi free-standing Beacons / Rotating Mirror Light 883  
**Rotating Mirror Beacon LED 115-230VAC RD**

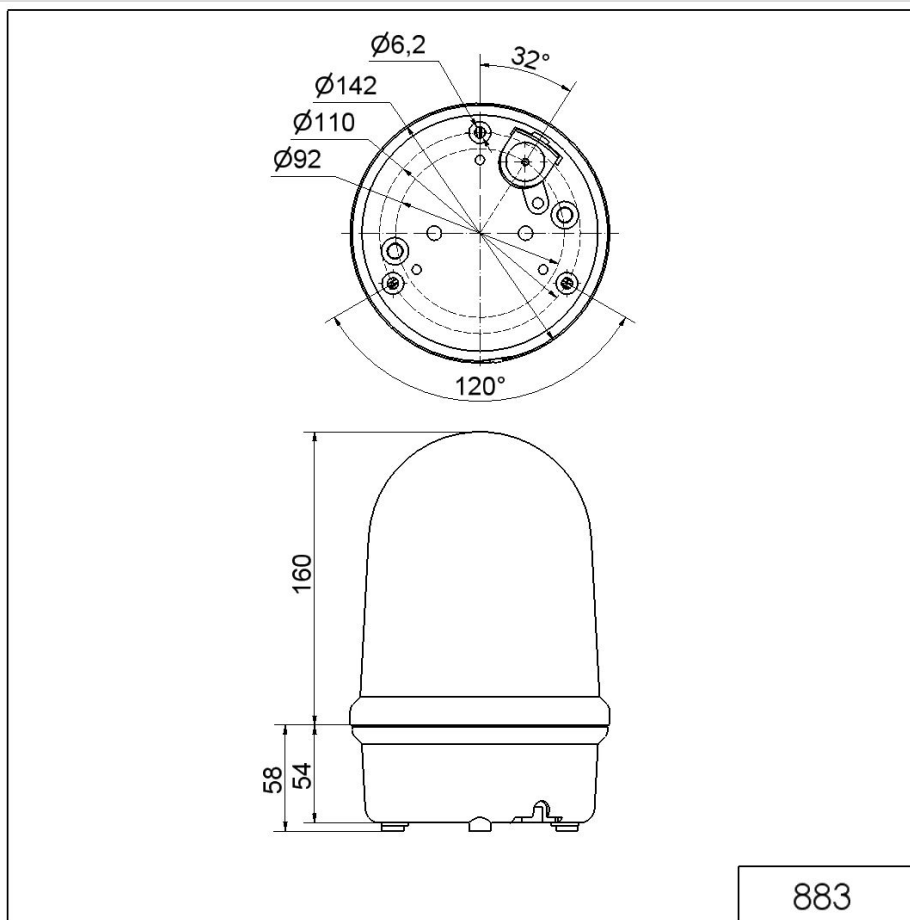
| APPROVAL DATA                 |                       |
|-------------------------------|-----------------------|
| Conforms with CE              | Yes                   |
| Conforms with RoHS directive  | Yes                   |
| WEEE                          | Yes                   |
| Conforms with ATEX-directive  | No                    |
| Conforms with CCC-Ex          | No                    |
| Conforms with CCC             | Yes                   |
| Conforms with UL              | No                    |
| Conforms with FCC             | No                    |
| Conforms with IC              | No                    |
| EAC certificate available     | Yes                   |
| Conforms with UKCA (Importer) | Yes (WERMA (UK) Ltd.) |
| Conforms with CMIM            | No                    |
| Conforms with AS-I            | No                    |
| Conforms with DNV             | No                    |
| Conforms with RoHS CN         | No                    |
| Conforms with VdS             | No                    |



For additional installation and mounting information, refer to the appropriate user guide at [www.werma.com](http://www.werma.com). This printed copy is for information only and is subject to alteration.

Maxi free-standing Beacons / Rotating Mirror Light 883  
**Rotating Mirror Beacon LED 115-230VAC RD**

**DRAWING**



! For additional installation and mounting information, refer to the appropriate user guide at [www.werma.com](http://www.werma.com). This printed copy is for information only and is subject to alteration.