

Completely pre-assembled Signal Towers / RST 56
RST56 Built-In 24V WH/BU/GN/YE/RD/Buzzer



| | |
|-----------|------------|
| Part No.: | 686.593.15 |
| Series: | RST 56 |



| MECHANICAL DATA | |
|-----------------------------|---------------------|
| Length | 289 mm |
| Diameter | 57 mm |
| Materials | ABS PC PC/ABS |
| Dome colour | White |
| Housing colour | Black |
| Protection category | IP65 IP69K |
| Connection | M12 socket 8-pole |
| Type of fixing | Built-in mounting |
| Working temperature minimum | -30°C |
| Working temperature maximum | +50°C |
| Weight with packaging | 358.4 g |
| Product weight | 319.4 g |

| ELECTRICAL DATA | |
|------------------------|--------------------|
| Operating voltage | 12V |
| Operating voltage type | DC |
| Protection class | Protection class 2 |
| Pollution degree | 3 |

| OPTICAL DATA | |
|----------------------|---|
| Light source | LED |
| Light colour | Blue Green Red White Yellow |
| Optical signal image | Permanent |

| ACOUSTIC DATA | |
|-----------------------------|-----------------|
| Volume (max) at 1m distance | 90 |
| Acoustic signal image | Continuous tone |
| Audio frequency | 2900 Hz |

| APPROVAL DATA | |
|------------------------------|-----|
| Conforms with CE | Yes |
| WEEE | Yes |
| Conforms with ATEX-directive | No |
| Conforms with CCC-Ex | No |



For additional installation and mounting information, refer to the appropriate user guide at www.werma.com. This printed copy is for information only and is subject to alteration.

Completely pre-assembled Signal Towers / RST 56 **RST56 Built-In 24V WH/BU/GN/YE/RD/Buzzer**

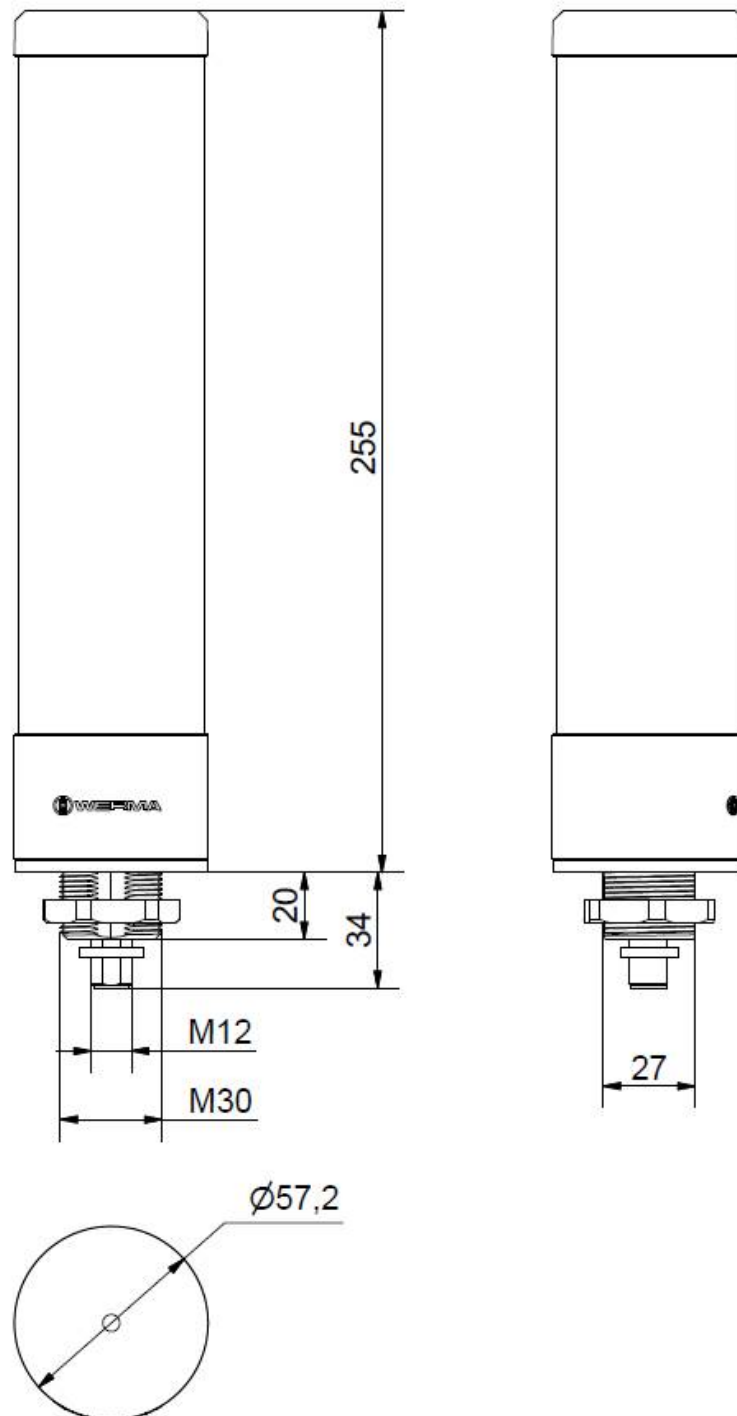
| | |
|-------------------------------|-----------------------|
| Conforms with CCC | No |
| Conforms with UL | No |
| Conforms with FCC | No |
| Conforms with IC | No |
| EAC certificate available | No |
| Conforms with UKCA (Importer) | Yes (WERMA (UK) Ltd.) |
| Conforms with CMIM | No |
| Conforms with AS-I | No |
| Conforms with DNV | No |
| Conforms with RoHS CN | 10 years |
| Conforms with VdS | No |



For additional installation and mounting information, refer to the appropriate user guide at www.werma.com. This printed copy is for information only and is subject to alteration.

Completely pre-assembled Signal Towers / RST 56
RST56 Built-In 24V WH/BU/GN/YE/RD/Buzzer

DRAWING



For additional installation and mounting information, refer to the appropriate user guide at www.werma.com. This printed copy is for information only and is subject to alteration.