

Completely pre-assembled Signal Towers / RST 56  
**RST56 Built-In 24V BU/GN/YE/RD/Buzzer**



Part No.:	686.483.15
Series:	RST 56



MECHANICAL DATA	
Height	249 mm
Diameter	57 mm
Materials	ABS PC PC/ABS
Dome colour	White
Housing colour	White
Protection category	IP65 IP69K
Connection	M12 socket 8-pole
Type of fixing	Built-in mounting
Working temperature minimum	-30°C
Working temperature maximum	+50°C
Weight with packaging	314.6 g
Product weight	275.6 g

ELECTRICAL DATA	
Operating voltage	24V
Operating voltage type	DC
Protection class	Protection class 2
Pollution degree	3

OPTICAL DATA	
Light source	LED
Light colour	Blue Green Red Yellow
Optical signal image	Permanent
Service life optical	50,000 h maximum

ACOUSTIC DATA	
Volume (max) at 1m distance	90
Acoustic signal image	Continuous tone
Audio frequency	2900 Hz

APPROVAL DATA	
Conforms with CE	Yes
WEEE	Yes
Conforms with ATEX-directive	No
Conforms with CCC-Ex	No

**!** For additional installation and mounting information, refer to the appropriate user guide at [www.werma.com](http://www.werma.com). This printed copy is for information only and is subject to alteration.

## Completely pre-assembled Signal Towers / RST 56 **RST56 Built-In 24V BU/GN/YE/RD/Buzzer**

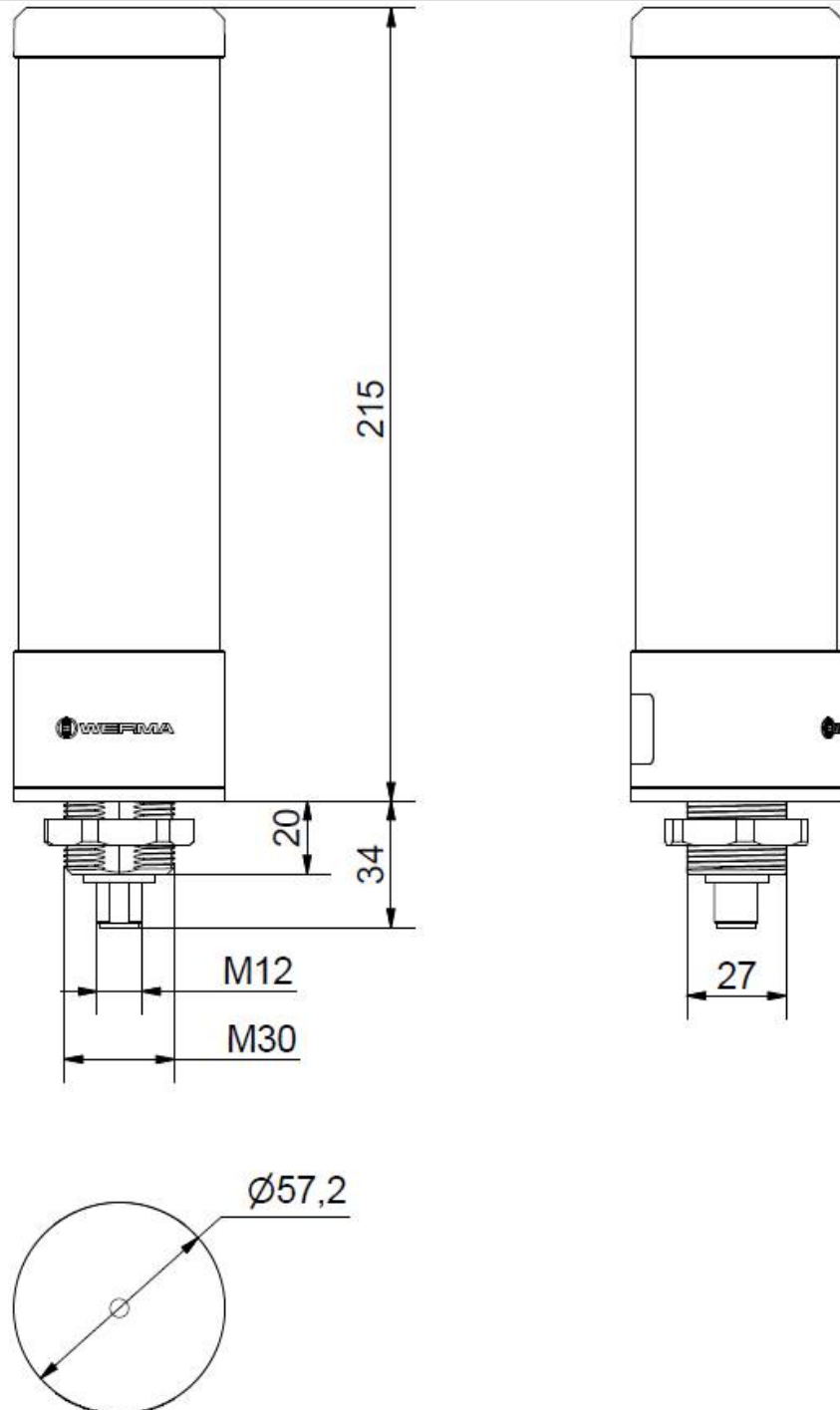
Conforms with CCC	No
Conforms with UL	No
Conforms with FCC	No
Conforms with IC	No
EAC certificate available	No
Conforms with UKCA (Importer)	Yes (WERMA (UK) Ltd.)
Conforms with CMIM	No
Conforms with AS-I	No
Conforms with DNV	No
Conforms with RoHS CN	10 years
Conforms with VdS	No



For additional installation and mounting information, refer to the appropriate user guide at [www.werma.com](http://www.werma.com). This printed copy is for information only and is subject to alteration.

Completely pre-assembled Signal Towers / RST 56  
**RST56 Built-In 24V BU/GN/YE/RD/Buzzer**

**DRAWING**



For additional installation and mounting information, refer to the appropriate user guide at [www.werma.com](http://www.werma.com). This printed copy is for information only and is subject to alteration.