

Completely pre-assembled Signal Towers / RST 56

RST56 Built-In 24V GN/YE/RD/Buzzer

| | |
|-----------|------------|
| Part No.: | 686.373.15 |
| Series: | RST 56 |



| MECHANICAL DATA | |
|-----------------------------|---------------------|
| Height | 209 mm |
| Diameter | 57 mm |
| Materials | ABS PC PC/ABS |
| Dome colour | Clear |
| Housing colour | Black |
| Protection category | IP66 IP69K |
| Connection | M12 socket 5-pole |
| Type of fixing | Built-in mounting |
| Working temperature minimum | -30°C |
| Working temperature maximum | +50°C |
| Weight with packaging | 270.8 g |
| Product weight | 231.8 g |

| ELECTRICAL DATA | |
|-----------------------------|--------------------|
| Operating voltage | 24V |
| Operating voltage type | DC |
| Operating voltage tolerance | +/- 10% |
| Protection class | Protection class 3 |
| Pollution degree | 3 |

| OPTICAL DATA | |
|----------------------|------------------------|
| Light source | LED |
| Light colour | Green Red Yellow |
| Optical signal image | Permanent |
| Service life optical | 50,000 h maximum |

| ACOUSTIC DATA | |
|-----------------------------|-----------------|
| Volume (max) at 1m distance | 90 |
| Acoustic signal image | Continuous tone |
| Number of tones | 1 tone |
| Audio frequency | 2900 Hz |

| APPROVAL DATA | |
|------------------------------|-----|
| Conforms with CE | Yes |
| WEEE | Yes |
| Conforms with ATEX-directive | No |



For additional installation and mounting information, refer to the appropriate user guide at www.werma.com. This printed copy is for information only and is subject to alteration.

Completely pre-assembled Signal Towers / RST 56

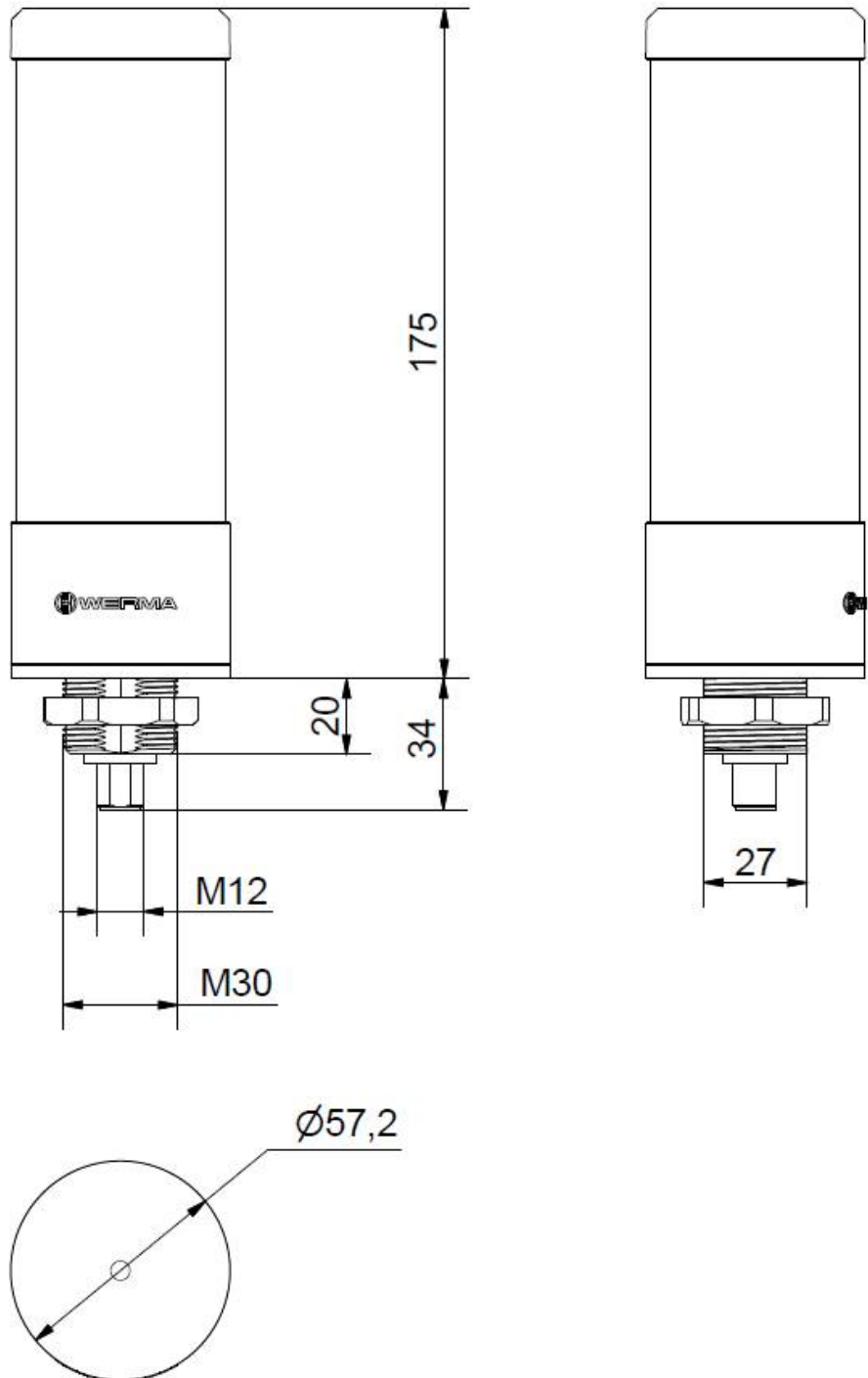
RST56 Built-In 24V GN/YE/RD/Buzzer

| | |
|-------------------------------|-----------------------|
| Conforms with CCC-Ex | No |
| Conforms with CCC | No |
| Conforms with UL | No |
| Conforms with FCC | No |
| Conforms with IC | No |
| EAC certificate available | No |
| Conforms with UKCA (Importer) | Yes (WERMA (UK) Ltd.) |
| Conforms with CMIM | No |
| Conforms with AS-I | No |
| Conforms with DNV | No |
| Conforms with RoHS CN | 10 years |
| Conforms with VdS | No |

! For additional installation and mounting information, refer to the appropriate user guide at www.werma.com. This printed copy is for information only and is subject to alteration.

Completely pre-assembled Signal Towers / RST 56
RST56 Built-In 24V GN/YE/RD/Buzzer

DRAWING



For additional installation and mounting information, refer to the appropriate user guide at www.werma.com. This printed copy is for information only and is subject to alteration.