

Completely pre-assembled Signal Towers / CST 55C
CST55 colored BWM GN/RD



Part No.: 659.920.55



MECHANICAL DATA	
Height	163 mm
Diameter	57 mm
Materials	ABS PC PC/ABS
Dome colour	Green Red
Housing colour	Grey
Protection category	IP40
Connection	Stranded wires (tinned)
Type of fixing	Base mounting
Working temperature minimum	-20°C
Working temperature maximum	+50°C

ELECTRICAL DATA	
Operating voltage	24V
Operating voltage type	DC
Rated inrush current	270mA
Protection class	Protection class 2
Pollution degree	2

OPTICAL DATA	
Light source	LED
Light colour	Green Red
Optical signal image	Permanent
Service life optical	50,000 h maximum

APPROVAL DATA	
Conforms with CE	Yes
WEEE	Yes
Conforms with ATEX-directive	No
Conforms with IECEx	No
Conforms with CCC-Ex	No
Conforms with CCC	No
Conforms with UL	No
Conforms with FCC	No
Conforms with IC	No
EAC certificate available	No
Conforms with UKCA (Importer)	Yes (WERMA (UK) Ltd.)

! For additional installation and mounting information, refer to the appropriate user guide at www.werma.com. This printed copy is for information only and is subject to alteration.

Completely pre-assembled Signal Towers / CST 55C

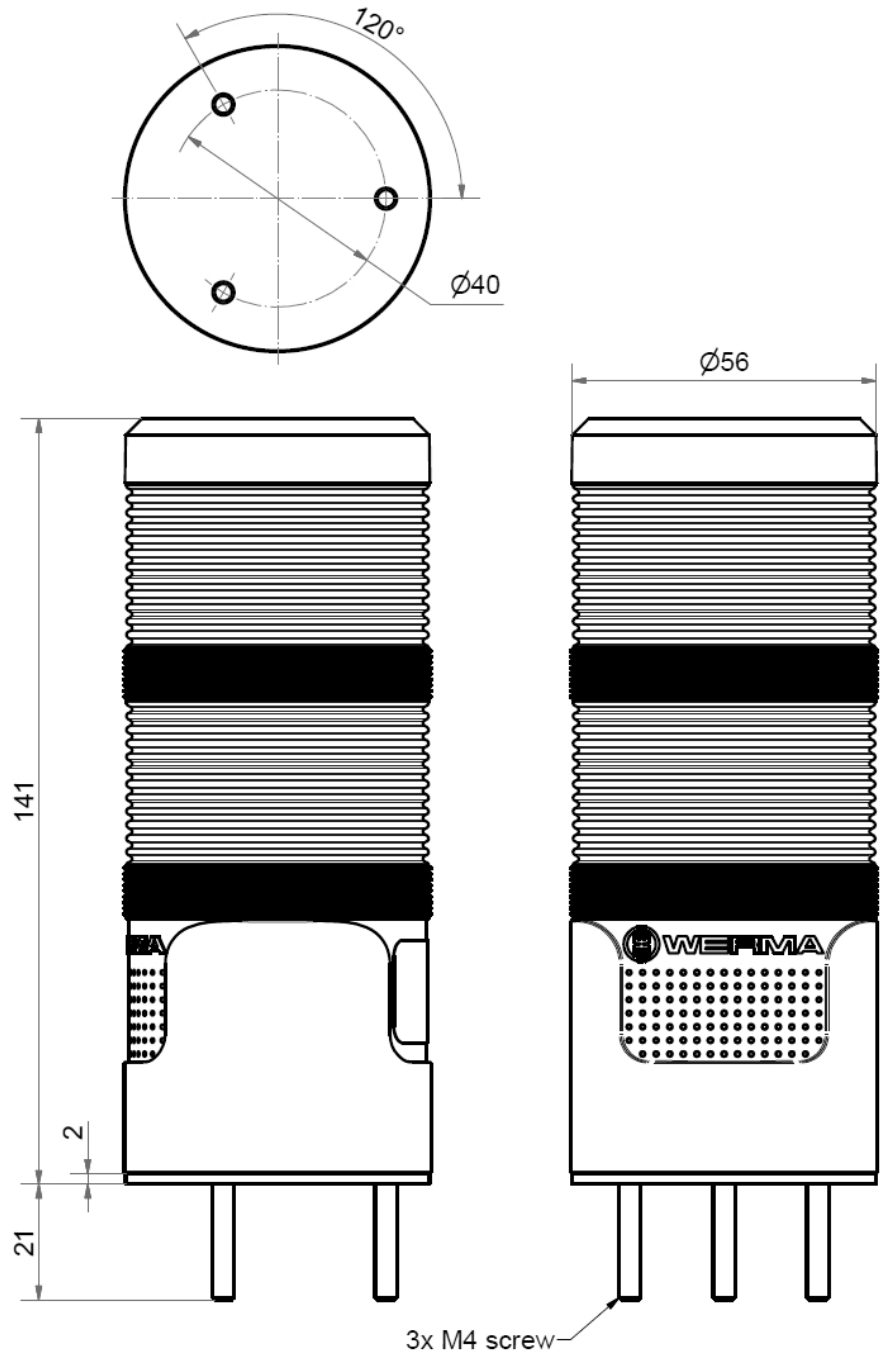
CST55 colored BWM GN/RD

Conforms with CMIM	No
Conforms with AS-I	No
Conforms with DNV	No
Conforms with RoHS CN	25 years
Conforms with VdS	No

! For additional installation and mounting information, refer to the appropriate user guide at www.werma.com. This printed copy is for information only and is subject to alteration.

Completely pre-assembled Signal Towers / CST 55C
CST55 colored BWM GN/RD

DRAWING



! For additional installation and mounting information, refer to the appropriate user guide at www.werma.com. This printed copy is for information only and is subject to alteration.