

Completely pre-assembled Signal Towers / CST 55C
CST55 colored GN/RD/Buzzer



Part No.: 659.240.55



MECHANICAL DATA	
Height	247 mm
Diameter	57 mm
Materials	ABS PC PC/ABS
Dome colour	Green Red
Housing colour	Grey
Protection category	IP40
Connection	Stranded wires (tinned)
Tension relief	Pull-out protection
Working temperature minimum	-20°C
Working temperature maximum	+50°C
Weight with packaging	239 g
Product weight	189 g

ELECTRICAL DATA	
Operating voltage	24V
Operating voltage type	DC
Operating voltage tolerance	+/- 10%
Rated inrush current	400mA
Protection class	Protection class 2
Pollution degree	2

OPTICAL DATA	
Light source	LED
Light colour	Green Red
Optical signal image	Permanent
Service life optical	50,000 h maximum

ACOUSTIC DATA	
Volume (max) at 1m distance	85
Acoustic signal image	Pulse tone
Audio frequency	2900 Hz

APPROVAL DATA	
Conforms with CE	Yes
WEEE	Yes
Conforms with ATEX-directive	No

! For additional installation and mounting information, refer to the appropriate user guide at www.werma.com. This printed copy is for information only and is subject to alteration.

Completely pre-assembled Signal Towers / CST 55C **CST55 colored GN/RD/Buzzer**

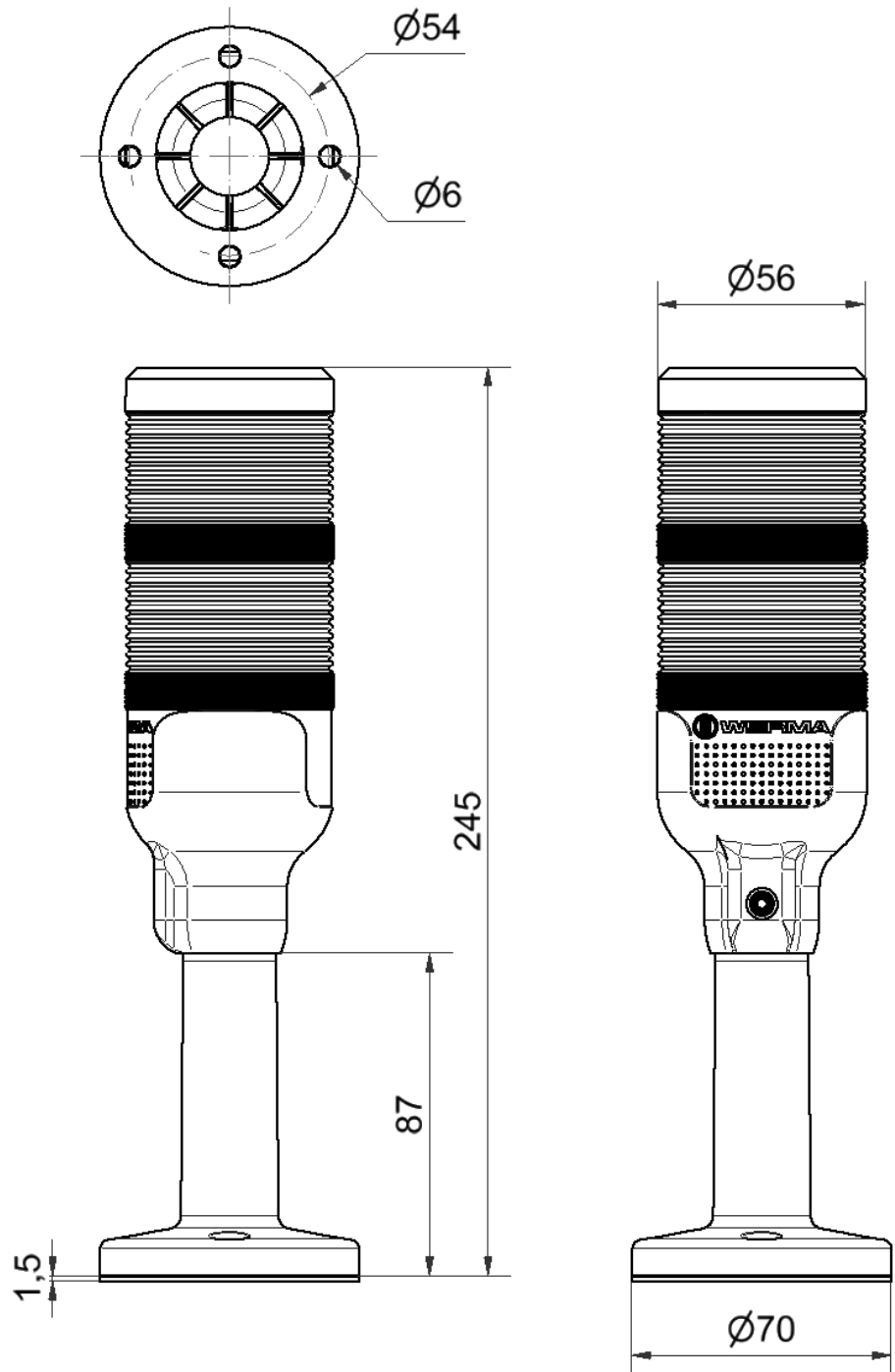
Conforms with CCC-Ex	No
Conforms with CCC	No
Conforms with UL	No
Conforms with FCC	No
Conforms with IC	No
EAC certificate available	No
Conforms with UKCA (Importer)	Yes (WERMA (UK) Ltd.)
Conforms with CMIM	No
Conforms with AS-I	No
Conforms with DNV	No
Conforms with RoHS CN	10 years
Conforms with VdS	No



For additional installation and mounting information, refer to the appropriate user guide at www.werma.com. This printed copy is for information only and is subject to alteration.

Completely pre-assembled Signal Towers / CST 55C
CST55 colored GN/RD/Buzzer

DRAWING



! For additional installation and mounting information, refer to the appropriate user guide at www.werma.com. This printed copy is for information only and is subject to alteration.