

Mini / MC35

MC35 UL Beacon + Buzzer 24V RGY M12



| | |
|-----------|------------|
| Part No.: | 241.440.55 |
| Series: | MC35 |



MECHANICAL DATA

| | |
|-----------------------------|---------------------|
| Height | 64 mm |
| Diameter | 35 mm |
| Materials | PC |
| Dome colour | Translucent |
| Housing colour | Black |
| Protection category | IP69K |
| Connection | M12 plug 5-pole |
| Tension relief | Pull-out protection |
| Type of fixing | Built-in mounting |
| Working temperature minimum | -20°C |
| Working temperature maximum | +50°C |
| Weight with packaging | 65 g |
| Product weight | 35 g |

ELECTRICAL DATA

| | |
|-----------------------------|--------------------------------|
| Operating voltage | 24V |
| Operating voltage type | DC |
| Operating voltage tolerance | +/- 10% |
| Rated operational voltage | 24 VDC |
| Rated operational current | 45 mA |
| Rated inrush current | 165mA |
| Protection class | Protection class 2 |
| Pollution degree | 3 In the connection area: 2 |

OPTICAL DATA

| | |
|----------------------|------------------------|
| Light source | LED |
| Light colour | Green Red Yellow |
| Optical signal image | Permanent |
| Service life optical | 50,000 h maximum |

ACOUSTIC DATA

| | |
|-----------------------------|-----------------|
| Volume (max) at 1m distance | 80 |
| Acoustic signal image | Continuous tone |
| Audio frequency | 3600 Hz |
| Acoustic service life | 5,000 h minimum |

APPROVAL DATA

! For additional installation and mounting information, refer to the appropriate user guide at www.werma.com. This printed copy is for information only and is subject to alteration.

Mini / MC35

MC35 UL Beacon + Buzzer 24V RGY M12

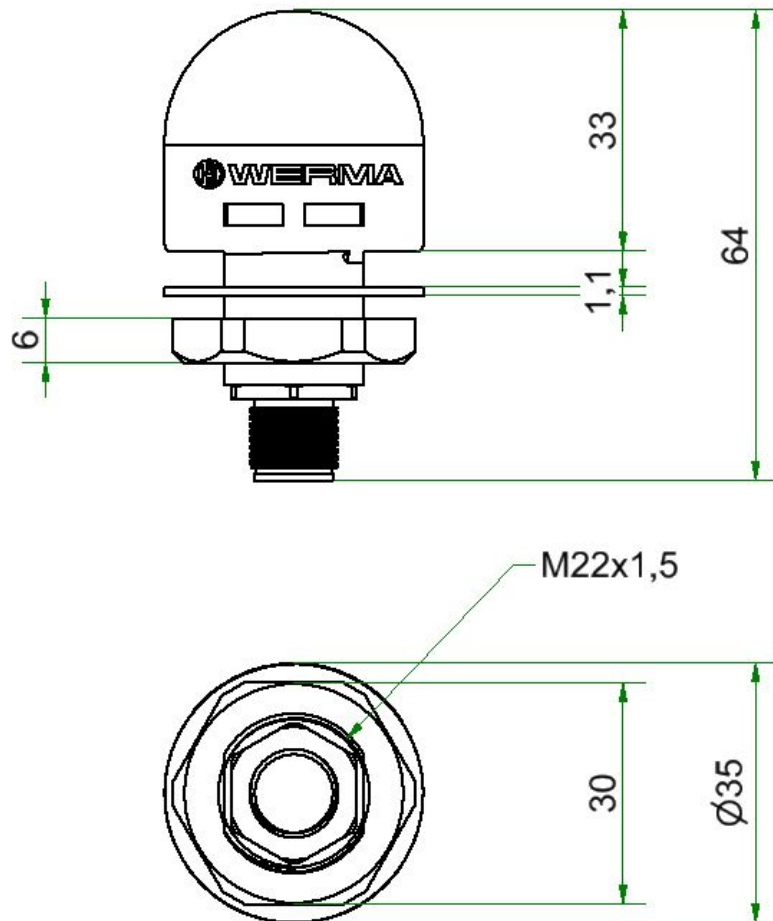
| | |
|-------------------------------|-----------------------|
| Conforms with CE | Yes |
| WEEE | Yes |
| Conforms with ATEX-directive | No |
| Conforms with CCC-Ex | No |
| Conforms with CCC | No |
| Conforms with UL | cULus |
| UL Type Rating | Type 4X |
| Conforms with FCC | No |
| Conforms with IC | No |
| EAC certificate available | No |
| Conforms with UKCA (Importer) | Yes (WERMA (UK) Ltd.) |
| Conforms with CMIM | No |
| Conforms with AS-I | No |
| Conforms with DNV | No |
| Conforms with RoHS CN | 10 years |
| Conforms with VdS | No |
| MTTF-value [years] | 543 |

! For additional installation and mounting information, refer to the appropriate user guide at www.werma.com. This printed copy is for information only and is subject to alteration.

Mini / MC35

MC35 UL Beacon + Buzzer 24V RGY M12

DRAWING



! For additional installation and mounting information, refer to the appropriate user guide at www.werma.com. This printed copy is for information only and is subject to alteration.