

Mini / MC55

MC55 UL Beacon + Buzzer 24V RGY M12

Part No.:	240.440.55
Series:	MC55

**MECHANICAL DATA**

Height	71 mm
Diameter	55 mm
Materials	PC
Dome colour	Translucent
Housing colour	Black
Protection category	IP69K
Connection	M12 plug 5-pole
Type of fixing	Built-in mounting
Working temperature minimum	-20°C
Working temperature maximum	+50°C
Weight with packaging	94 g
Product weight	67 g

ELECTRICAL DATA

Operating voltage	24V
Operating voltage type	DC
Operating voltage tolerance	+/- 10%
Rated operational voltage	24 VDC
Rated operational current	65 mA
Rated inrush current	<150mA
Protection class	Protection class 2
Pollution degree	3 In the connection area: 2
Overvoltage category	I
Isolation voltage	Ui = 50V / Uimp = 330V

OPTICAL DATA

Light source	LED
Light colour	MC 3 colours
Optical signal image	Permanent
Service life optical	50,000 h maximum

ACOUSTIC DATA

Volume (max) at 1m distance	85,0 dB (A)
Acoustic signal image	Pulse tone
Number of tones	1 tone
Audio frequency	3400 Hz
Acoustic service life	5,000 h minimum

APPROVAL DATA

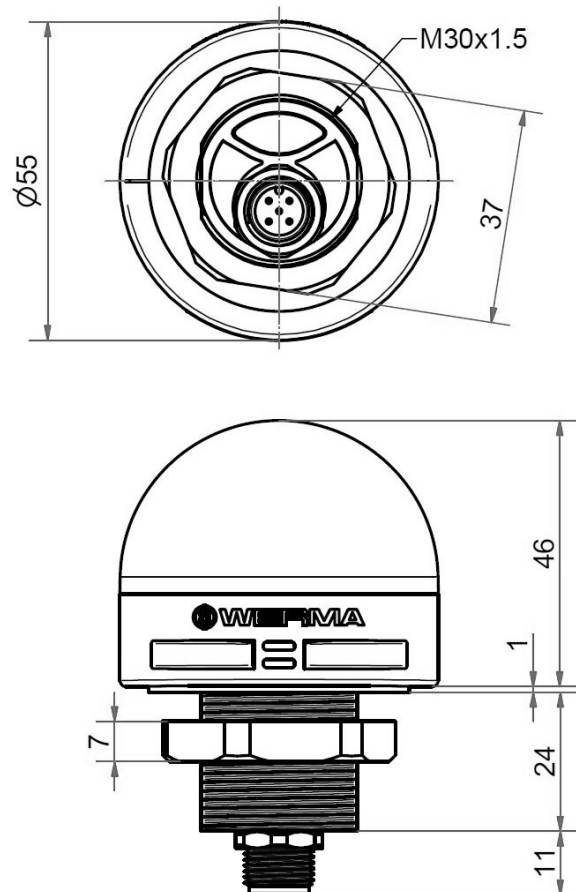
For additional installation and mounting information, refer to the appropriate user guide at www.werma.com. This printed copy is for information only and is subject to alteration.

Mini / MC55

MC55 UL Beacon + Buzzer 24V RGY M12

Conforms with CE	Yes
WEEE	Yes
Conforms with CCC	No
Conforms with UL	cULus
UL Type Rating	Type 4X
Conforms with FCC	No
Conforms with IC	No
EAC certificate available	No
Conforms with UKCA (Importer)	Yes (WERMA (UK) Ltd.)
Conforms with AS-I	No
Conforms with DNV	No
Conforms with RoHS CN	10 years
Conforms with VdS	No
MTTF-value [years]	172

DRAWING



! For additional installation and mounting information, refer to the appropriate user guide at www.werma.com. This printed copy is for information only and is subject to alteration.