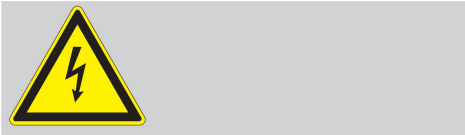
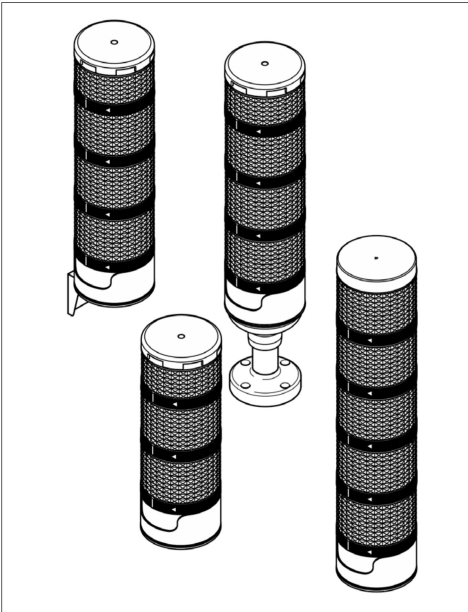
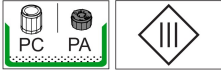
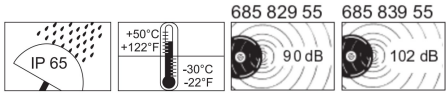
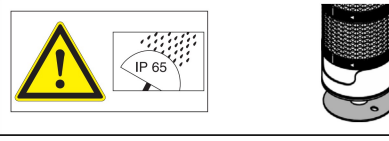
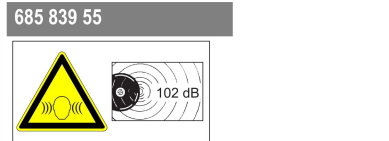
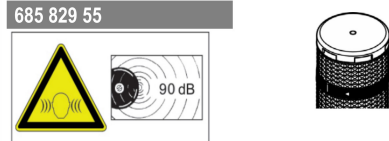
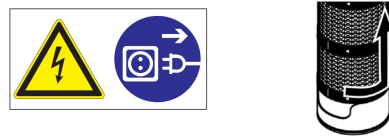


Modular Signal Tower MST 71



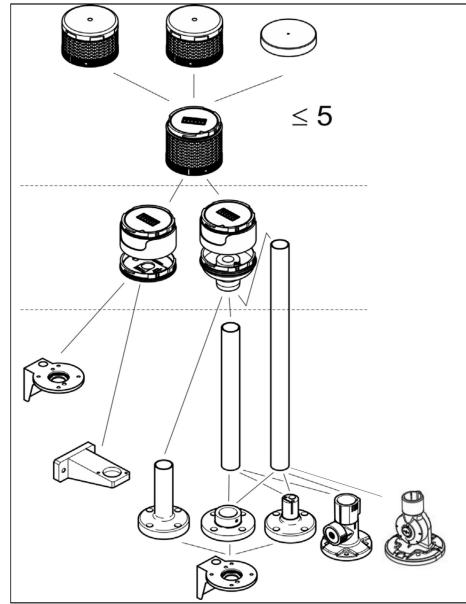
GB Electrical connection is to be made by trained electrical specialists **only**.

CN 布线需由专业电工执行

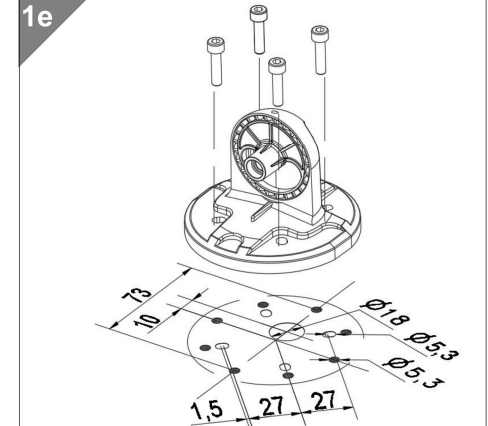
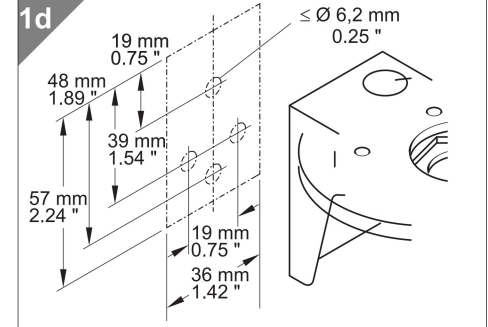
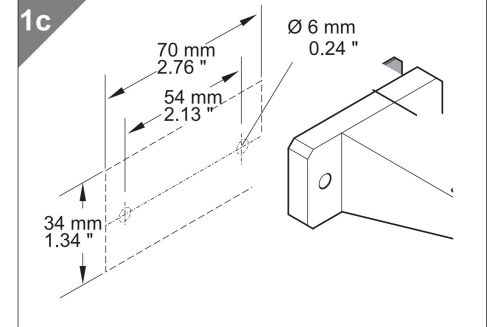
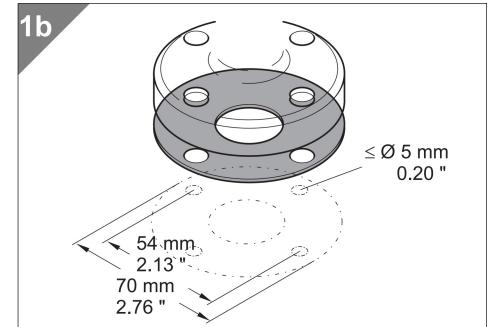
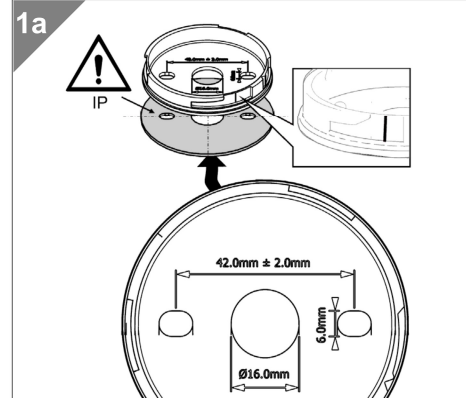


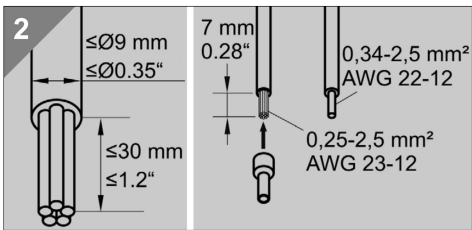
	680 829 55 Ø 70 24 V=		
	680 839 55 Ø 70 24 V=		
LED Permanent	681 x39 55	24 V=	I _{max} = 40 mA
LED Blinking	682 x39 55	24 V=	I _{max} = 40 mA
LED Flash	683 x39 55	24 V=	I _{max} = 90 mA
	685 829 55	24 V=	I _{max} = 20 mA
≤ 95 dB			

	685 839 55	24 V=	I _{max} = 30 mA
≤ 102 dB			

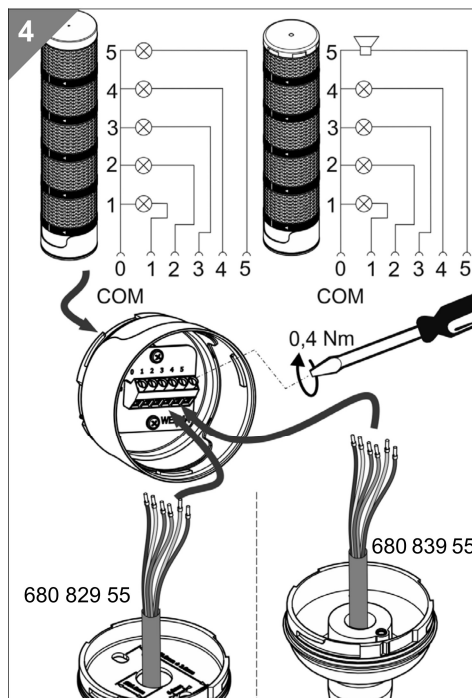
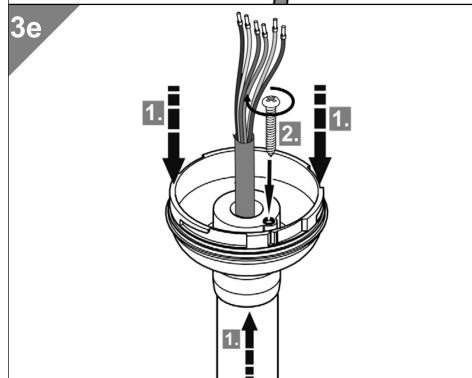
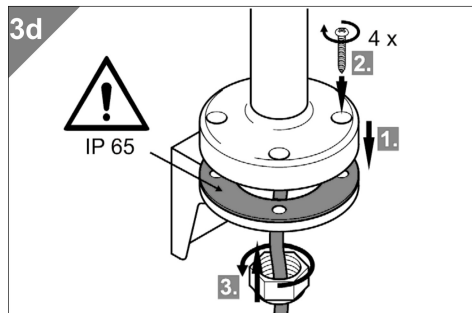
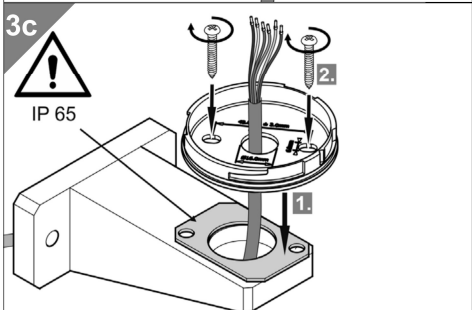
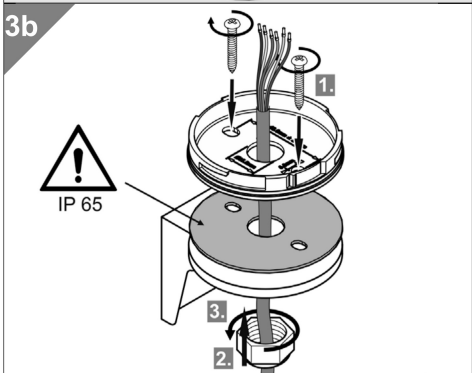
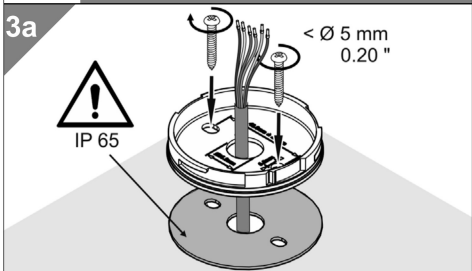


- 1**
- 1a - 680 829 55
 - 1b - 975 849 90 ^ 975 849 91 ^ 975 849 11 ^ 960 009 12
 - 1c - 960 009 07
 - 1d - 960 009 01 ^ 960 009 02
 - 1e - 960 009 17 ^ 960 009 18





- 3
 3a 680 829 55
 3b 680 829 55 + 960 009 02
 3c 680 829 55 + 960 009 07
 3d 680 839 55 + 960 009 01 + 975 849 11,
 975 849 90, 975 849 91, 960 009 12
 3e 680 839 55



5

WARNING

max. 90-102dB

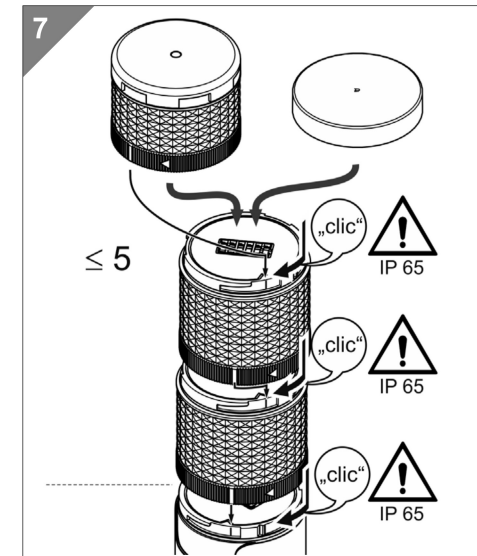
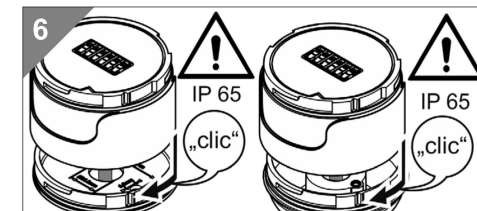
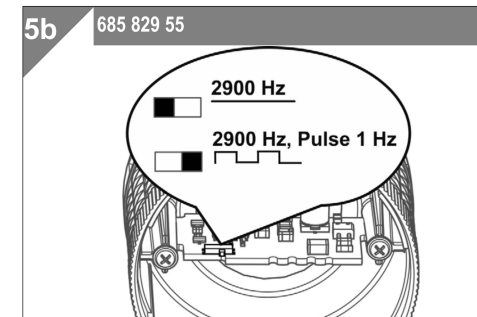
NOTICE

dB = dB A (SPL) 1m

5a 685 839 55

Tone	Trigger	DIP	Frequency
1	1	⬛	2.8 kHz
2	1	⬛	0.9 kHz
3	1	⬛	2.1 - 3.6 kHz
4	1	⬛	2.8 kHz
5	2	⬛	0.9 kHz
6	2	⬛	2.8 kHz
7	2	⬛	0.9 kHz
8	2	⬛	2.2/2.8 kHz

		Pin terminal element				
	Trigger	1	2	3	4	5
	1	+24V	NC			
	2		+24V			
	1		+24V	NC		
	2			+24V		
	1			+24V	NC	
	2				+24V	
	1				+24V	NC
	2					+24V
	1					+24V



310.680.003
 931068000301_AC

Marking of Hazardous Substances 有害物质标识

WERMA article number: 680 829 55, 680 839 55

According to the SJ/T 11364-2014 Standard of the People's Republic of China for the Electronic Industry

本表格依据中华人民共和国 SJ/T 11364-2014 的规定编制

Component Name 部件名称	Hazardous Substances 有害物质					
	Lead 铅 (Pb)	Mercury 汞 (Hg)	Cadmium 镉 (Cd)	Hexavalent Chromium 六价铬 (Cr (VI))	Polybrominated biphenyls 多溴联苯 (PBB)	Polybrominated diphenyl ethers 多溴二苯醚 (PBDE)
Plastic parts 塑料件	○	○	○	○	○	○
Label 标签	○	○	○	○	○	○
PCB and its electronics components 印制电路板及其电子元器件	○	○	○	○	○	○
Contact spring 接触弹片	○	○	○	○	○	○

This table was developed according to the provisions of SJ/T 11364-2014
本表格依据 SJ / T 11364-2014 的规定编制

O: The content of such hazardous substance in all homogeneous materials of such component is **below** the limit required by GB/T 26572-2011.

表示该有害物质在该部件所有均质材料中的含量均在 GB/T 26572-2011 规定的限量要求以下。

X: The content of such hazardous substance in all homogeneous materials of such component is **beyond** the limit required by GB/T 26572-2011.

表示该有害物质至少在该部件的某一均质材料中的含量超出 GB/T 26572-2011 规定的限量要求。

Enterprises may further explain the technical reasons for ticking "X" in the table above according to their actual situation herein.
企业可在此处，根据实际情况对上表中打“X”的技术原因进行进一步说明。

*Exemptions according to EU RoHS 2011/65 Annex III and IV might be applied

*欧盟 RoHS 2011/65 附件 III 和 IV 的豁免可能适用

■ No restricted substances or below limit required by GB/T 26572-2011.

没有限制物质或者在 GB/T 26572-2011 规定限制以内。

Green logo 绿色环保标识:



Signature: _____

Marking of Hazardous Substances 有害物质标识



WERMA Signaltechnik GmbH + Co. KG
Dürtheimer Straße 15
78604 Rietheim-Weilheim / Germany

WERMA article number: 伟马快德物料号:
681 139 55, 681 239 55, 681 339 55, 681 439 55, 681 539 55, 682 139 55, 682 239 55, 682 339 55, 682 439 55, 682 539 55,
683 439 55, 683 539 55, 683 139 55, 683 239 55, 683 339 55, 683 439 55, 683 539 55,
689 109 02, 689 109 05

According to the SJ/T 11364-2014 Standard of the People's Republic of China for the Electronic Industry

本表格依据中华人民共和国 SJ/T 11364-2014 的规定编制

Component Name 部件名称	Hazardous Substances 有害物质					
	Lead 铅 (Pb)	Mercury 汞 (Hg)	Cadmium 镉 (Cd)	Hexavalent Chromium 六价铬 (Cr (VI))	Polybrominated biphenyls 多溴联苯 (PBB)	Polybrominated diphenyl ethers 多溴二苯醚 (PBDE)
Plastic parts 塑料件	○	○	○	○	○	○
Label 标签	○	○	○	○	○	○
PCB and its electronics components 印制电路板及其电子元器件	X*	○	○	○	○	○
Buzzer 蜂鸣器	○	○	○	○	○	○
Contact spring 接触弹片	○	○	○	○	○	○

This table was developed according to the provisions of SJ/T 11364-2014

本表格依据 SJ / T 11364-2014 的规定编制

O: The content of such hazardous substance in all homogeneous materials of such component is **below** the limit required by GB/T 26572-2011.

表示该有害物质在该部件所有均质材料中的含量均在 GB/T 26572-2011 规定的限量要求以下。

X: The content of such hazardous substance in all homogeneous materials of such component is **beyond** the limit required by GB/T 26572-2011.

表示该有害物质至少在该部件的某一均质材料中的含量超出 GB/T 26572-2011 规定的限量要求。

Enterprises may further explain the technical reasons for ticking "X" in the table above according to their actual situation herein.
企业可在此处，根据实际情况对上表中打“X”的技术原因进行进一步说明。

*Exemptions according to EU RoHS 2011/65 Annex III and IV might be applied

*欧盟 RoHS 2011/65 附件 III 和 IV 的豁免可能适用

■ Restricted substances beyond limit required by GB/T 26572-2011.

限制物质的含量超过 GB/T 26572-2011 规定限制

EUFP (Environment Friendly Use Period) 环保使用期限:

Rietheim 里泰姆 18.09.2019

Place and date of issue 签发地点和日期

ppa. 授权 C. Hübner

Director R&D 研发总监

Marking of Hazardous Substances 有害物质标识



WERMA Signaltechnik GmbH + Co. KG
Dürtheimer Straße 15
78604 Rietheim-Weilheim / Germany

WERMA article number: 伟马快德物料号:

685 829 55, 685 839 55, 689 109 01, 689 109 05.

According to the SJ/T 11364-2014 Standard of the People's Republic of China for the Electronic Industry

本表格依据中华人民共和国 SJ/T 11364-2014 的规定编制

Component Name 部件名称	Hazardous Substances 有害物质					
	Lead 铅 (Pb)	Mercury 汞 (Hg)	Cadmium 镉 (Cd)	Hexavalent Chromium 六价铬 (Cr (VI))	Polybrominated biphenyls 多溴联苯 (PBB)	Polybrominated diphenyl ethers 多溴二苯醚 (PBDE)
Plastic parts 塑料件	○	○	○	○	○	○
Label 标签	○	○	○	○	○	○
PCB and its electronics components 印制电路板及其电子元器件	X*	○	○	○	○	○
Buzzer 蜂鸣器	○	○	○	○	○	○
Contact spring 接触弹片	○	○	○	○	○	○

This table was developed according to the provisions of SJ/T 11364-2014

本表格依据 SJ / T 11364-2014 的规定编制

O: The content of such hazardous substance in all homogeneous materials of such component is **below** the limit required by GB/T 26572-2011.

表示该有害物质在该部件所有均质材料中的含量均在 GB/T 26572-2011 规定的限量要求以下。

X: The content of such hazardous substance in all homogeneous materials of such component is **beyond** the limit required by GB/T 26572-2011.

表示该有害物质至少在该部件的某一均质材料中的含量超出 GB/T 26572-2011 规定的限量要求。

Enterprises may further explain the technical reasons for ticking "X" in the table above according to their actual situation herein.
企业可在此处，根据实际情况对上表中打“X”的技术原因进行进一步说明。

*Exemptions according to EU RoHS 2011/65 Annex III and IV might be applied

*欧盟 RoHS 2011/65 附件 III 和 IV 的豁免可能适用

■ Restricted substances beyond limit required by GB/T 26572-2011.

限制物质的含量超过 GB/T 26572-2011 规定限制

EUFP (Environment Friendly Use Period) 环保使用期限:

Rietheim 里泰姆 18.09.2019

Place and date of issue 签发地点和日期

ppa. 授权 C. Hübner

Director R&D 研发总监