

Signal Towers / Accessories

Base for tube D25mm, pl. BK**Part No.:** 975.849.90**MECHANICAL DATA**

Height	37 mm
Diameter	70 mm
Materials	PA-GF
Housing colour	Black
Weight with packaging	1 g
Product weight	1 g

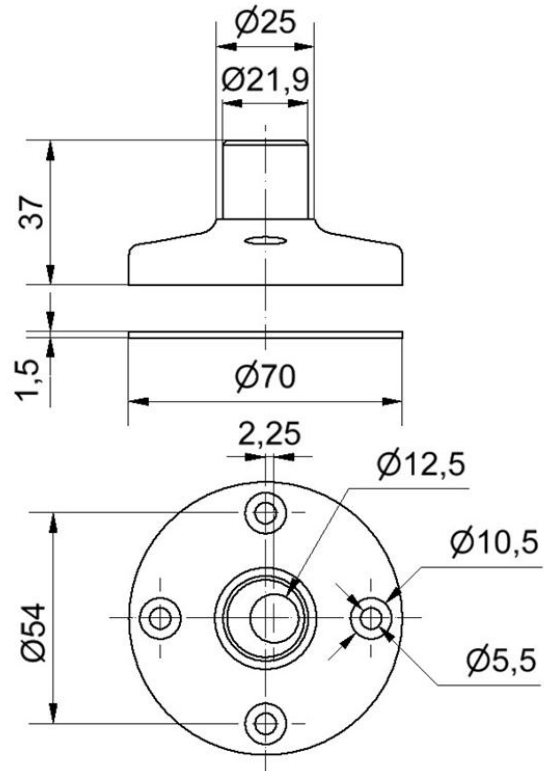
APPROVAL DATA

WEEE	No
Conforms with ATEX-directive	No
Conforms with CCC	No
Conforms with UL	No
Conforms with FCC	No
Conforms with IC	No
EAC certificate available	No
Conforms with AS-I	No
ICAO Certification	No
Conforms with DNV	No
Conforms with RoHS CN	e-logo



For additional installation and mounting information, refer to the appropriate user guide at www.werma.com. This printed copy is for information only and is subject to alteration.

Signal Towers / Accessories

Base for tube D25mm, pl. BK**DRAWING**

For additional installation and mounting information, refer to the appropriate user guide at www.werma.com. This printed copy is for information only and is subject to alteration.