

Signal Towers / Accessories

Bracket for wall mount. BK



Part No.: 960.009.07

MECHANICAL DATA	
Length	89 mm
Width	70 mm
Height	35 mm
Diameter	42 mm
Materials	PC/ABS
Housing colour	Black
Weight with packaging	60 g
Product weight	55 g

APPROVAL DATA	
WEEE	No
Conforms with ATEX-directive	No
Conforms with CCC	No
Conforms with UL	No
Conforms with FCC	No
Conforms with IC	No
EAC certificate available	No
Conforms with AS-I	No
ICAO Certification	No
Conforms with DNV	No
Conforms with RoHS CN	50 years

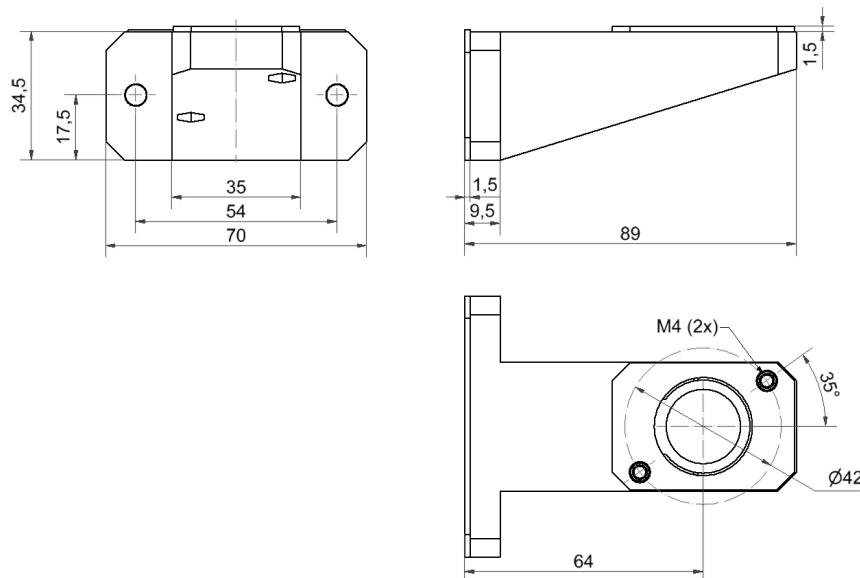


For additional installation and mounting information, refer to the appropriate user guide at www.werma.com. This printed copy is for information only and is subject to alteration.

Signal Towers / Accessories

Bracket for wall mount. BK

DRAWING



! For additional installation and mounting information, refer to the appropriate user guide at www.werma.com. This printed copy is for information only and is subject to alteration.